

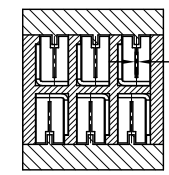
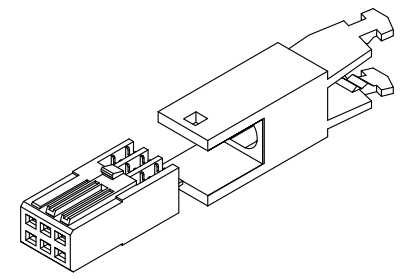
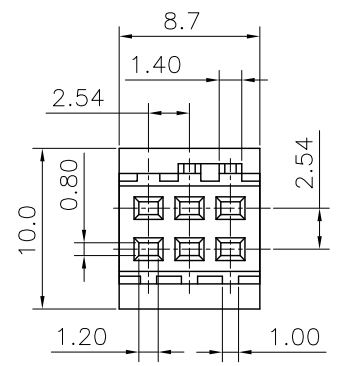
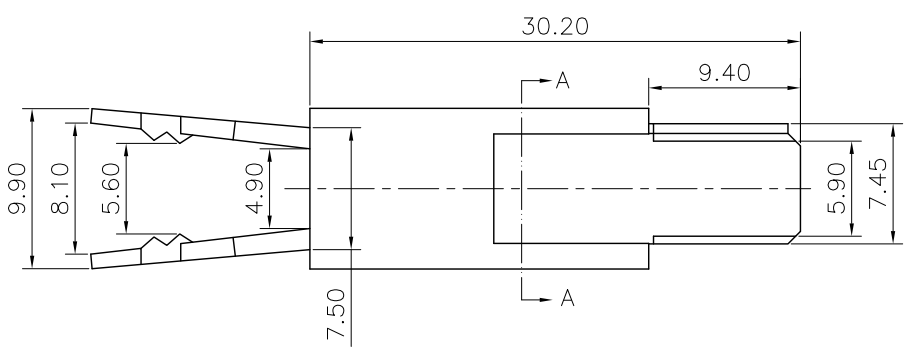
Material:

Housing: 30% Glass Filled PBT UL94V-0.
 Contacts: Phosphor Bronze.
 Body: Nylon.

Electrical Characteristics:

Current Rating: 2.0AMP.
 Dielectric Withstanding Voltage: AC1000V For 1 minute.
 Insulator Resistance: 1000MΩ min. at DC 500V.
 Contact Resistance: 20mΩ max. at DC 100mA.
 Operating Temperature: -55°C ~+105°C .

***RoHS Compliant**



0.35REF
 (For AWG 24)

Section A-A

UB-SI24HA-2X03-LF
 LEADFREE

RoHS Compliant



煜倫股份有限公司

PART NO. UB-SI24HA-2X03		CHECKED BY CY		TOLERANCES ARE .X ± 0.2 .XX ± .XXX ± AWG	DESCRIP TION: 2.54mm Female Cable Connector IDC Type AWG 24 Cable(Body Color Grey)		
DWG NO. UB-SI24HA-2X03		DRAWING BY					
UNIT / mm	SCALE 1:1	PROJECTION		AREA	REVISIONS	HK	DATE