

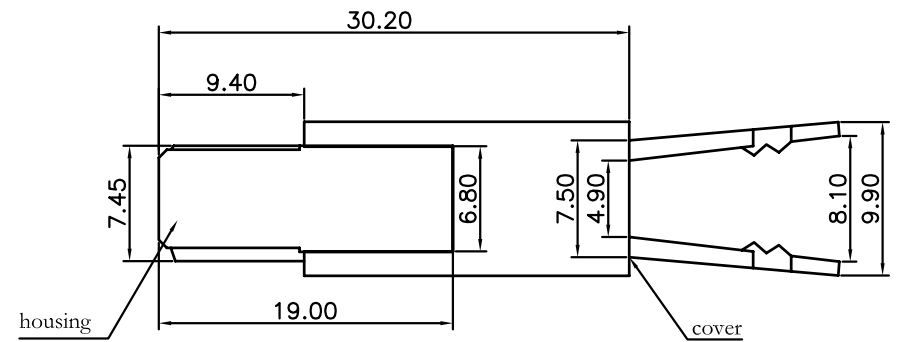
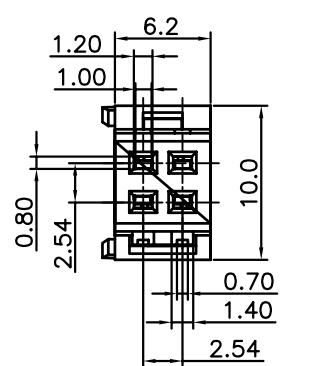
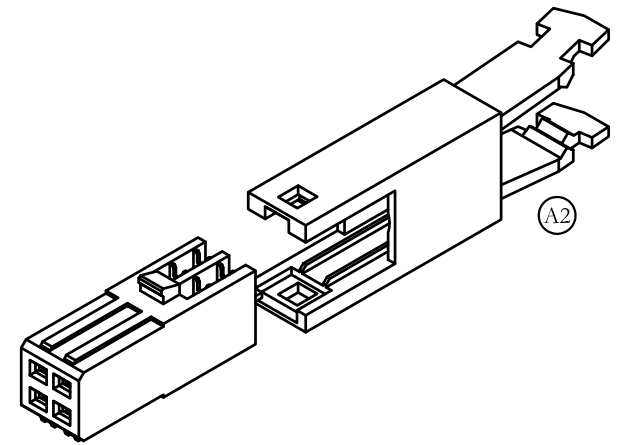
**Material:**

Housing: 30% Glass filled PBT UL94V-0.  
 Contacts: Phosphor Bronze.  
 Body: Nylon.

**Electrical Characteristics:**

Current Rating: 1.3AMP.  
 Dielectric Withstanding Voltage: AC1000V For 1 minute.  
 Insulator Resistance: 1000MΩ min. at DC 500V.  
 Contact Resistance: 20mΩ max. at DC 100mA.  
 Operating Temperature: -55°C ~ +125°C .

**\*RoHS Compliant**



UB-SI24HA-2X02-LF  
 LEADFREE  
 RoHS Compliant

**MORETHANALL**  
 CONNECTORS  
 ASSEMBLIES

煜倫股份有限公司

PART NO. UB-SI24HA-2X02		CHECKED BY CY	TOLERANCES ARE .X ± 0.2 .XX ± .XXX ± AWG	DESCRIP TION: Cable Connector Awg 24 Assembly		
DWG NO. UB-SI24HA-2X02						
FILE NO.		DRAWING BY	AREA	REVISIONS	HK	DATE
UNIT / mm	SCALE 1:1	PROJECTION				