

Material:

Housing: 30% Glass filled PBT UL94V-0.

Contacts: Phosphor Bronze.

Lock: Phosphor Bronze.

Electrical Characteristics:

Current Rating: 2 AMP.

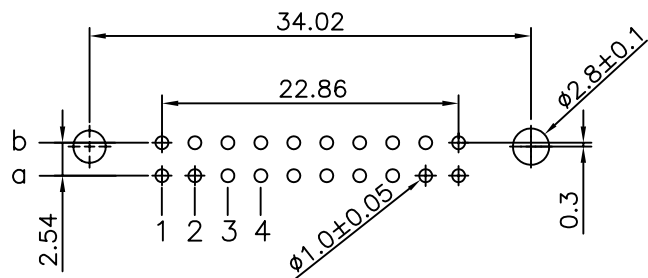
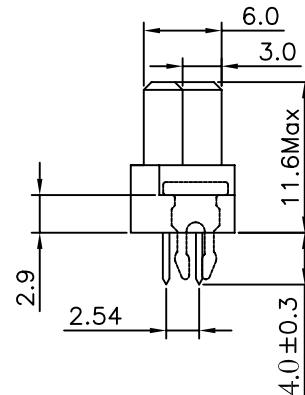
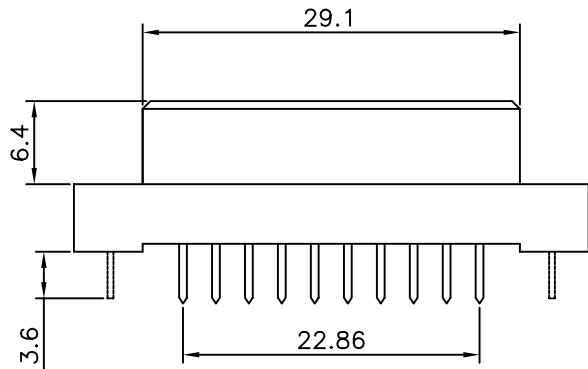
Dielectric Withstanding Voltage: AC 1000V For 1 minute.

Insulator Resistance: 1000MΩ min. at DC 500V.

Contact Resistance: 30mΩ max. at DC 100mA.

Operating Temperature: -55°C~+105°C .

***RoHS Compliant**



P.C. Board Layout

RoHS Compliant

TOLERANCES ARE



煜倫股份有限公司

www.morethanall.com

DRAWING BY CY

CHECKED BY GENIUS

UNIT / mm

SCALE 1 : 1

DATE

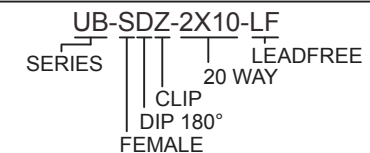
SIZE A4

PJECTION

X.±
.X±
.XX±
.XXX±
ANG ±

照片框

ORDER INFORMATION



DESCRIPTION: