

NOTES :

1. MATERIAL :

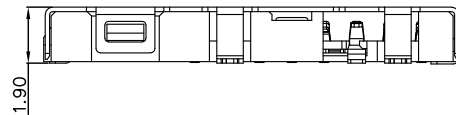
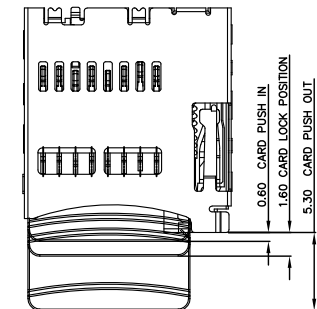
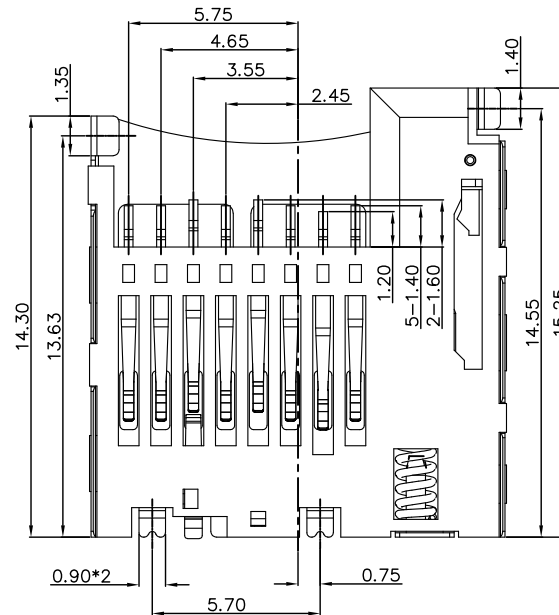
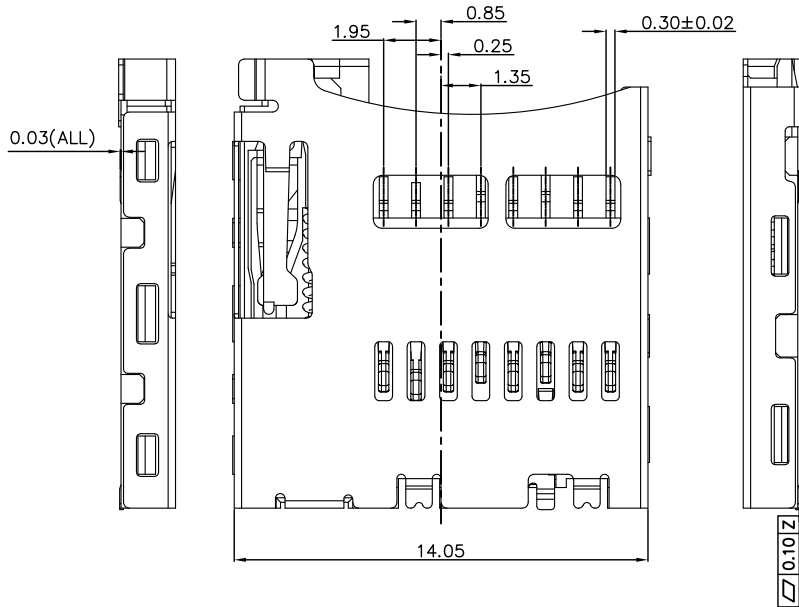
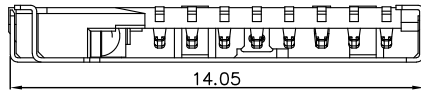
- 1.1 HOUSING:LCP UL94 V-0, BLACK COLOR.
- 1.2 SHELL: STAINLESS STEEL
- 1.3 CONTACT: COPPER ALLOY

2. FINISH :

- 2.1 CONTACT: GOLD PLATING ON CONTACT AREA, MATTE TIN 100u"MIN ON SOLDERTAIL AREA. 50u" MIN NICKEL PLATING OVERALL.
- 2.2 SHELL: 30u" MIN NICKEL PLATING OVERALL. Au 1u"MIN ON SOLDERTAIL AREA.

3. ELECTRICAL CHARACTERISTICS:

- 3.1 OPERATING VOLTAGE : 100V AC(rms)/DC.
- 3.2 CURRENT RATING : 0.5 A.
- 3.3 OPERATING TEMPERATURE: -40°C~+85°C.
- 3.4 CONTACT RESISTANCE: 100 m OHMS MAX.
- 3.5 INSULATION RESISTANCE: 1000M OHMS MIN. AT 250VDC.
- 3.6 DIELECTRIC WITHSTANDING VOLTAGE:500 VAC/1MINUTE.



RoHS Compliant

TOLERANCES ARE

**MORETHANALL**  
PCB CONNECTORS  
Cable ASSEMBLIES

DRAWING BY CY

X. ± 0.50

CHECKED BY GENIUS

.X ± 0.30

UNIT / mm

SCALE 1 : 1

.XX ± 0.20

DATE

.XXX ±

ANG ±

照片框

ORDER INFORMATION

TFC-WPCE13B-08-LF  
SERIES | LEADFREE  
| 08WAY  
| SWITCH OPEN  
| EAR 13.63mm  
90°SMT | C/LAYOHT  
PUSH PUSH

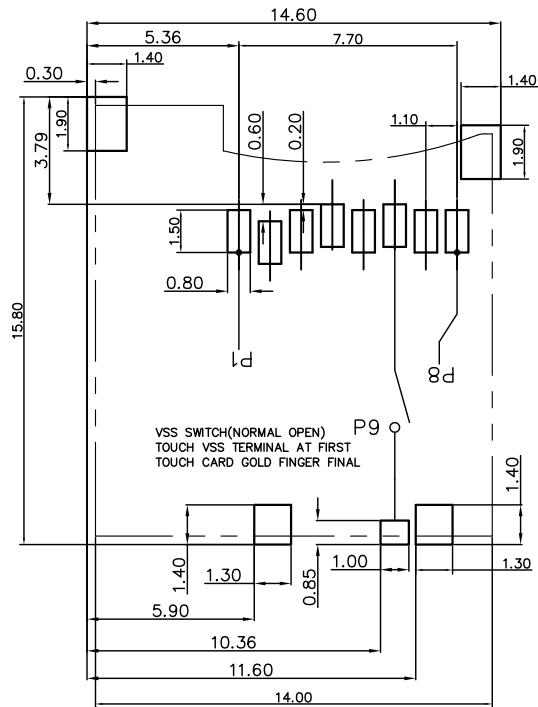
煜倫股份有限公司

www.morethanall.com

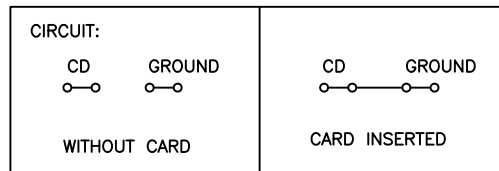
SIZE A4

PJECTION

DESCRIPTION: Micro SD Push conn 內焊 帶檢測PIN



RECOMMEND PCB LAYOUT  
GENERAL TOLERANCE  $\pm 0.05$



Pin No.		MICRO SD
PIN1	DAT2	1P
PIN2	CD/DAT3	2P
PIN3	CMD	3P
PIN4	VDD	4P
PIN5	CLK	5P
PIN6	VSS	6P
PIN7	DAT0	7P
PIN8	DAT1	8P
PIN9	CARD DETECT	

RoHS Compliant

TOLERANCES ARE

**MORETHANALL**  
PCB CONNECTORS  
Cable ASSEMBLIES

煜倫股份有限公司

www.morethanall.com

DRAWING BY CY

CHECKED BY GENIUS

UNIT / mm SCALE 1 : 1

DATE

SIZE A4

X.  $\pm 0.50$

.X  $\pm 0.30$

.XX  $\pm 0.20$

.XXX  $\pm$

ANG  $\pm$

PPOJECTION

照片框

ORDER INFORMATION

TFC-WPCE13B-08-LF  
SERIES | | | | LEADFREE  
| | | | 08WAY  
| | | | SWITCH OPEN  
90°SMT | | | | EAR 13.63mm  
| | | | C/LAYOHT  
| | | | PUSH PUSH

DESCRIPTION: Micro SD Push conn 內焊 帶檢測PIN