

Ballast Connectors - screw/screwless

- Screw/screwless connections
- Test slot provided
- Dual conductor
- Choice of current way
- Chassis mounting
- Easy release and connecting
- Color - white



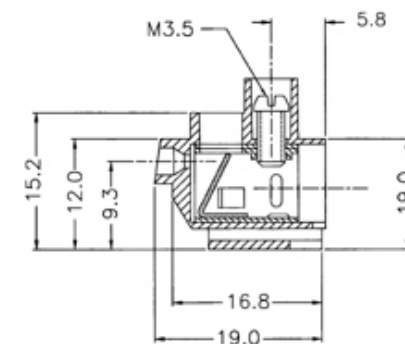
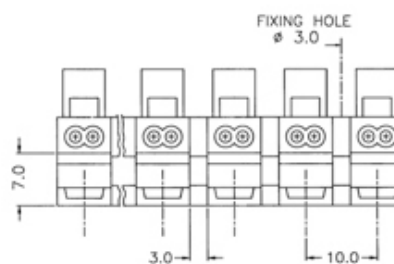
Technical Data

Housing	Polyamide 6/6
Insert	94 V-2 grade
Voltage / Ampere	iron, zinc plated
Voltage / Ampere (UL)	400V / 15A
Temperature	300V / 17.5A
working	-40°C to 100°C
short period	140°C
screw	M3.5 x 7.6, yellow chromated
Cross section	screwless 0.5 to 1.5mm ²
	screw up to 2.5mm ²

Packing

Per ctn

50x10



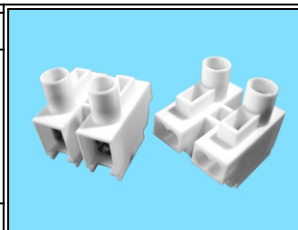
RoHS Compliant

TOLERANCES ARE



www.morethanall.com

DRAWING BY CY		X, ± .X ± .XX ± .XXX ± ANG ±
CHECKED BY GENIUS		
UNIT / mm	SCALE 1 : 1	
DATE		
SIZE A4	PPOJECTION	



ORDER INFORMATION

TBL100-W-xx-LF
 SERIES | LEADFREE
 02~12WAY
 WIRE TO WIRE

DESCRIPTION: