

Technical Data:


Material:

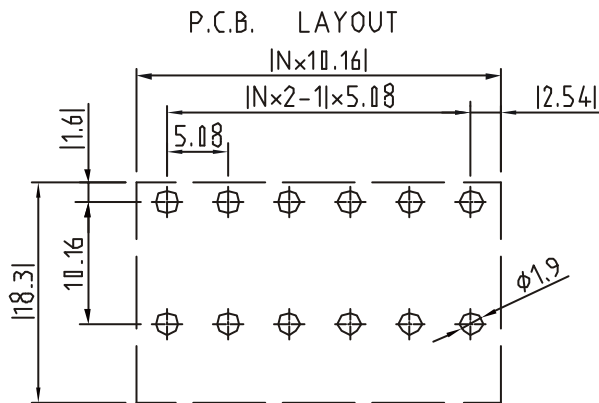
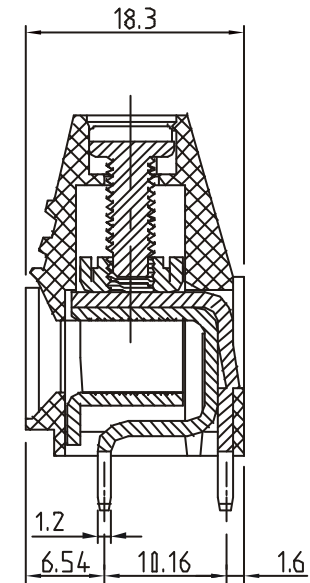
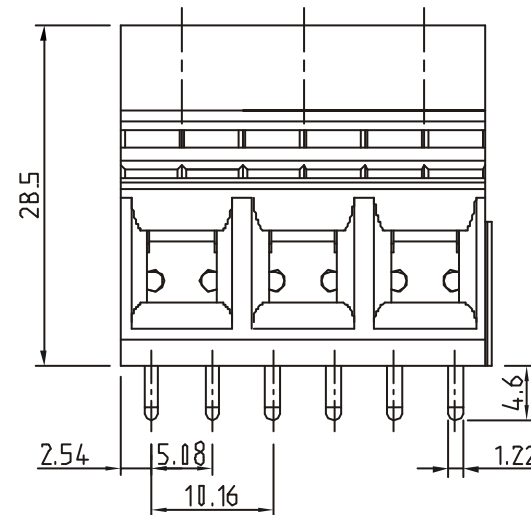
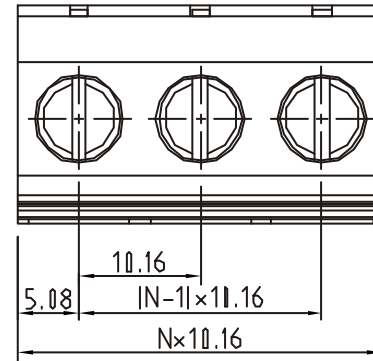
- Contact/metal housing: Steel Stamping
- Terminal screw: Steel galvanized and achromatized
- Solder Pin: Brass with Tin plated
- Insulator body/housing: Polyamide (UL94 V-0)

Electrical

- Voltage rating: 63VAC
- Current rating: 57 Amps/way max
- Contact resistance: 20mΩ (max)
- Insulation resistance: 5000MΩ/100V
- Withstanding Voltage: 500VAC (1min) Test time=60sec/1pcs
- Wire range: 8-22AWG

Mechanical:

- Torque: 12kgf.cm/M4
- Operating temperature: -30°C to +105°C
- Soldering temperature: 245°C ± 10°C / 5 Sec
- Safety Approval: 



N=Number of quarter contacts

RoHS Compliant

TOLERANCES ARE

MORETHANALL
PCB CONNECTORS
Cable ASSEMBLIES

煜倫股份有限公司

www.morethanall.com

DRAWING BY CY

CHECKED BY GENIUS

UNIT / mm

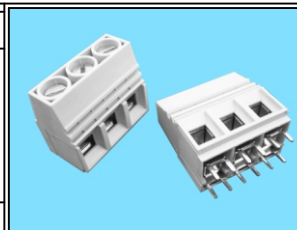
SCALE 1 : 1

DATE

SIZE A4

PPOJECTION 

X, ±
.X ±
.XX ±
.XXX ±
ANG ±



ORDER INFORMATION

TBH101-D28B-xx-LF

SERIES

LEADFREE

02~24WAY

2 ROW

HIGH 28.5mm

DIP 180°

DESCRIPTION: