

Technical Data:

Material:

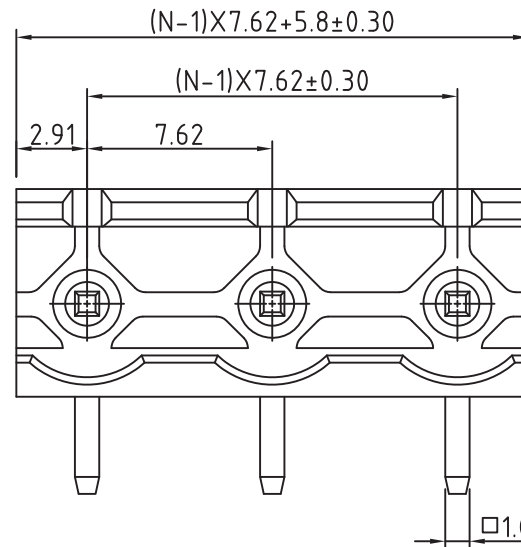
- Solder Pin: Brass with Tin plated
- Insulator body(housing): Polyamide(Glass filled)(UL94V-0)

Electrical

- Voltage rating: 300VAC
- Current rating: 10A
- Insulation resistance: 500MΩ at DC 500V
- Withstanding Voltage: AC 1500V(1min)

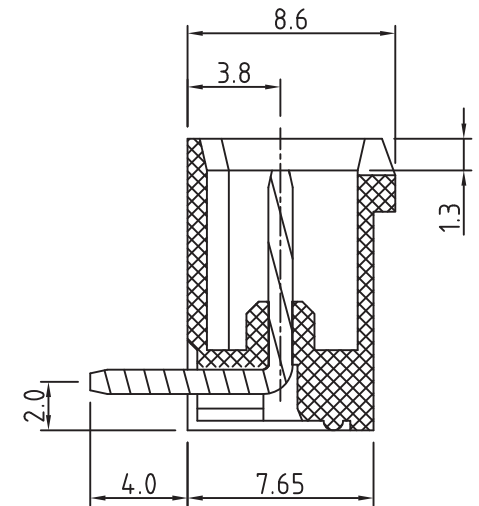
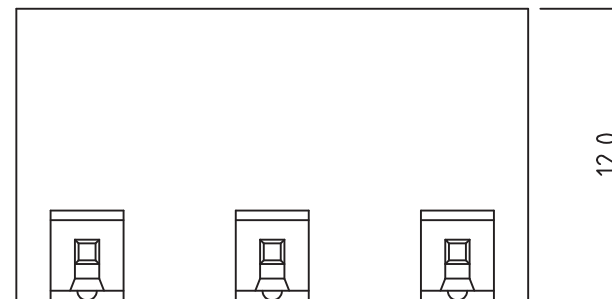
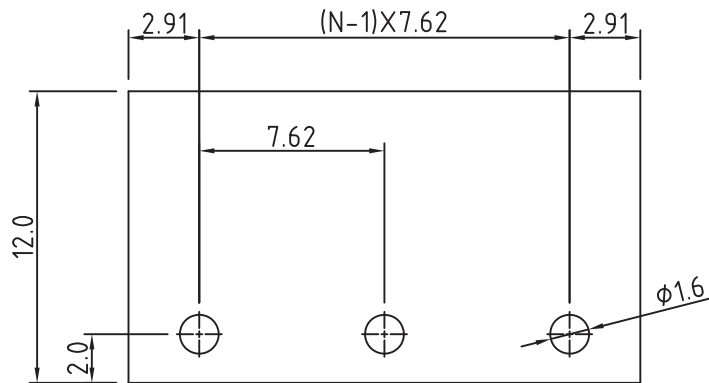
Mechanical:

- Using temperature Range: -40°C to +105°C
- Soldering temperature: +250°, 5seconds Max.



N=Number of contacts

PCB. LAYOUT



RoHS Compliant

TOLERANCES ARE

MORETHANALL
PCB CONNECTORS
Cable ASSEMBLIES

DRAWING BY CY

CHECKED BY GENIUS

UNIT / mm

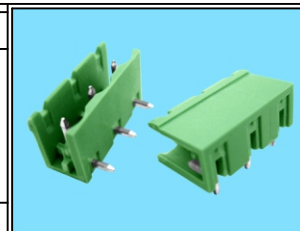
SCALE 1 : 1

DATE

SIZE A4

P PROJECTION

X, ±
.X ±
.XX ±
.XXX ±
ANG ±



ORDER INFORMATION

TBH076-PR-xx-LF

SERIES LEADFREE
02~24WAY
DIP 90°
MALE

煜倫股份有限公司

www.morethanall.com

DESCRIPTION: