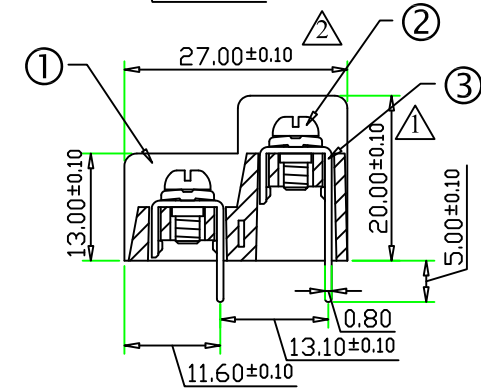
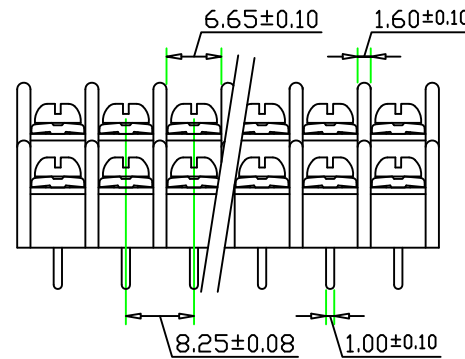
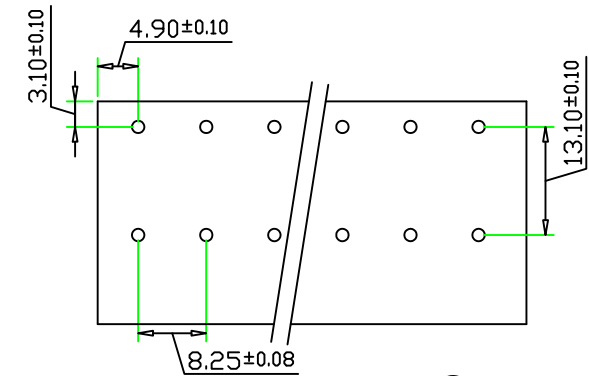
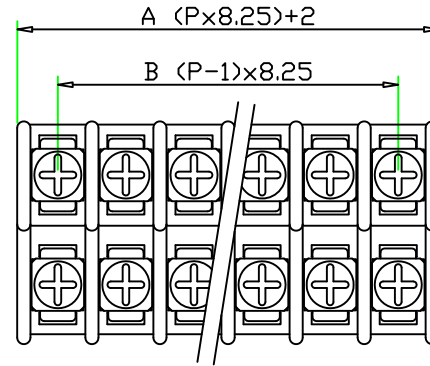


## SPECIFICATIONS

- ① Housing Material: Polyamide 66(UL94V-0).Black
- ② Screw: M3.0 Nickel Plated Steel
- ③ Terminals: Tin Plated Brass

Screws Torque: 7 In-Lb  
 Wire Range: 12~18 AWG  
 Rated: 20 Amperes.AC300V  
 Operation Temperature: -55°C~+95°C  
 Insulation withstands volt: AC2000V min  
 Insulation resistance: >1000MΩ or more at DC500V



Tolerance  $\pm 0.5$

POLE	2	3	4	5	6	7	8	9	10	11	12	13	14	15	
A	18.5	26.75	35	43.25	51.5	59.75	68	76.25	84.5	92.75	101	109.25	117.5	125.75	
B	8.25	16.5	24.75	33	41.25	49.5	57.75	66	74.25	82.5	90.75	99	107.25	115.5	
POLE	16	17	18	19	20	21	22	23	24	25	26	27	28	29	30
A	134	142.25	150.5	158.75	167	175.25	183.5	191.75	200	208.25	216.5	224.75	233	241.25	249.5
B	123.75	132	140.25	148.5	156.75	165	173.25	181.5	189.75	198	206.25	214.5	222.75	231	239.25

RoHS Compliant

TOLERANCES ARE

DRAWING BY CY

X.  $\pm$

CHECKED BY GENIUS

.X  $\pm$

UNIT / mm SCALE 1 : 1

.XX  $\pm$

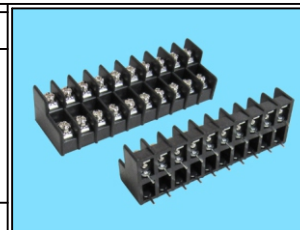
DATE

.XXX  $\pm$

ANG  $\pm$

SIZE A4

P PROJECTION



ORDER INFORMATION

TBB082B1-DB-xx-LF

SERIES

LEADFREE

02 PER ROW (2+2:04 PIN)

30 PER ROW (30+30:60 PIN)

DOUBLE ROW

DIP 180°

煜倫股份有限公司

www.morethanall.com

DESCRIPTION: Dual Level PCB type terminal block