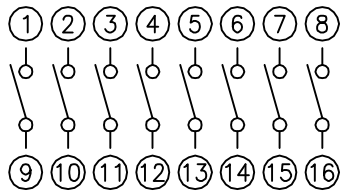
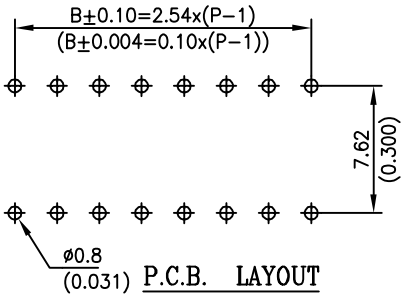
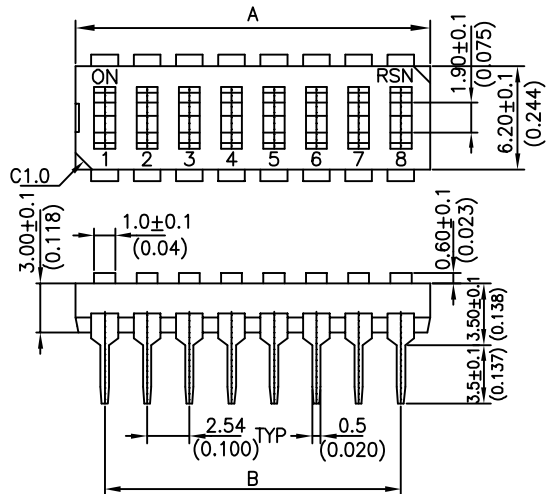
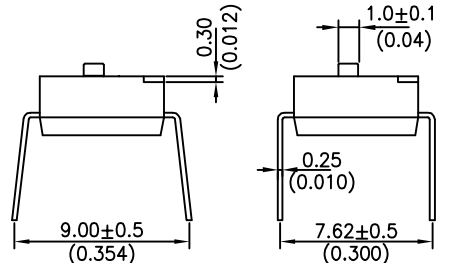


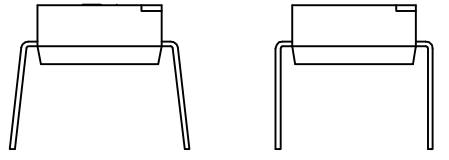
MODEL NO:RI/RIR series
DIMENSION:(UNIT:mm/inches)



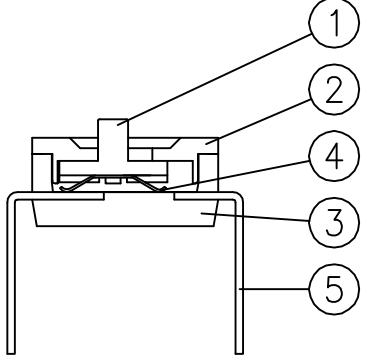
CIRCUIT DIAGRAM



SW-SC035-xx SW-SC03-xx



SW-SC035X-xx SW-SC03X-xx



CONSTRUCTION

No.ofPOS	DIM.A	DIM.B
01	3.48(0.137)	—
02	6.02(0.237)	2.54(0.100)
03	8.56(0.337)	5.08(0.200)
04	11.10(0.437)	7.62(0.300)
05	13.64(0.537)	10.16(0.400)
06	16.18(0.637)	12.70(0.500)
07	18.72(0.737)	15.24(0.600)
08	21.26(0.837)	17.78(0.700)
09	23.80(0.937)	20.32(0.800)
10	26.34(1.037)	22.86(0.900)
12	31.42(1.237)	27.94(1.100)

ITEM	DES	MATERIALS	TREATMENT
1	ACTUATOR	UL94V-O NYLON	MOLDED WHITE
2	COVER	UL94V-O NYLON	MOLDED BLACK
3	BASE	UL94V-O NYLON	MOLDED BLACK
4	CONTACT	BERYLLIUM COPPER	GOLD PLATED AT CONTACT AREA
5	TERMINAL	BRASS	GOLD PLATING

RoHS Compliant

TOLERANCES ARE

- X, ±
- .X ±
- .XX ±
- .XXX ±
- ANG ±

DRAWING BY CY

CHECKED BY GENIUS

UNIT / mm SCALE 1 : 1

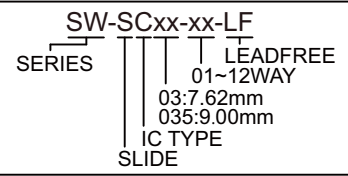
DATE

SIZE A4

PJECTION

照片框

ORDER INFORMATION



DESCRIPTION: MACHINE INSER TABLE TYPE DIP SWITCH

MORETHANALL
PCB CONNECTORS
Cable ASSEMBLIES
煜倫股份有限公司
www.morethanall.com