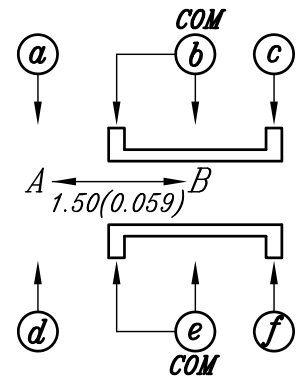
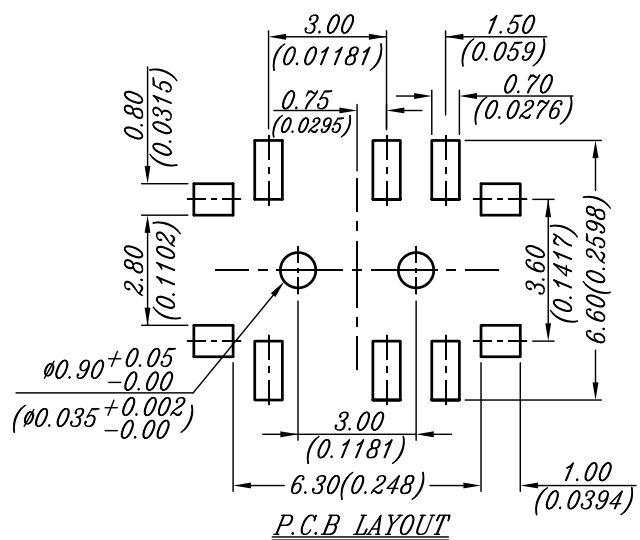
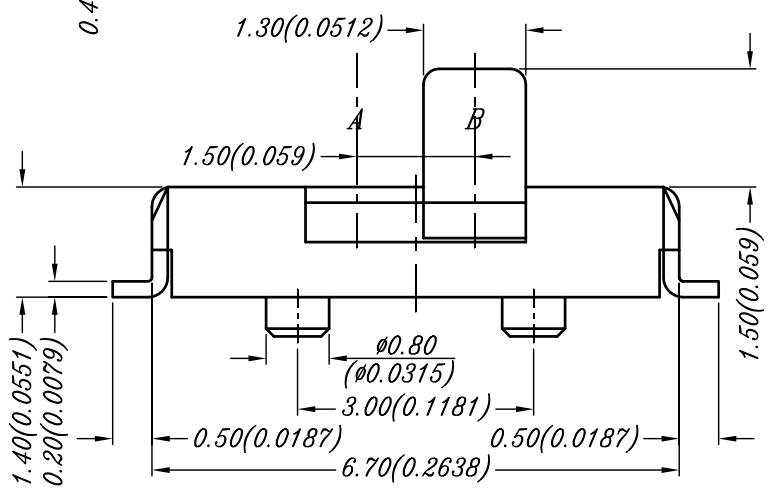
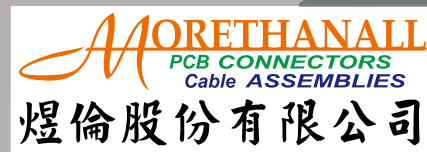


NOTE:  
 1. ALL DIMENSIONS ARE IN MILLIMETERS, BRACKETED DIMENSIONS ARE IN INCHES.  
 2. GENERAL TOLERANCES MAX. ±0.20mm.

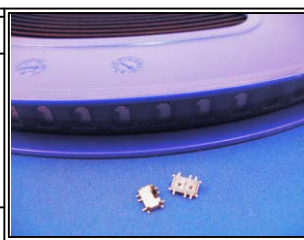


CIRCUIT DIAGRAM

RoHS Compliant



DRAWING BY CY		TOLERANCES ARE X ± .X ± 0.20 .XX ± 0.10 .XXX ± ANG ±
CHECKED BY GENIUS		
UNIT / mm	SCALE 1 : 1	
DATE		
SIZE A4	P PROJECTION	

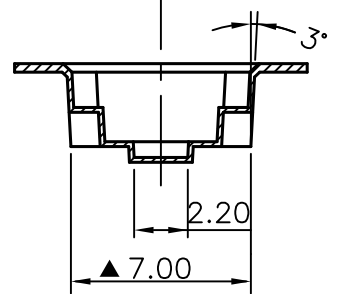
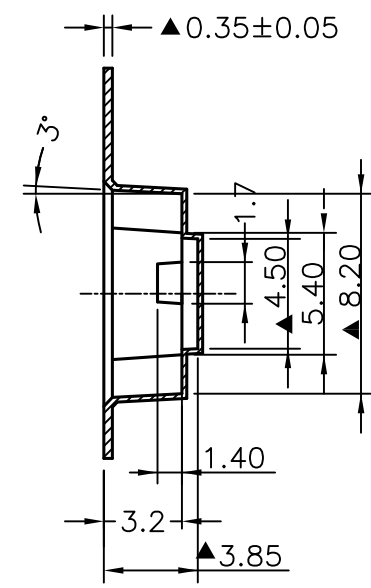
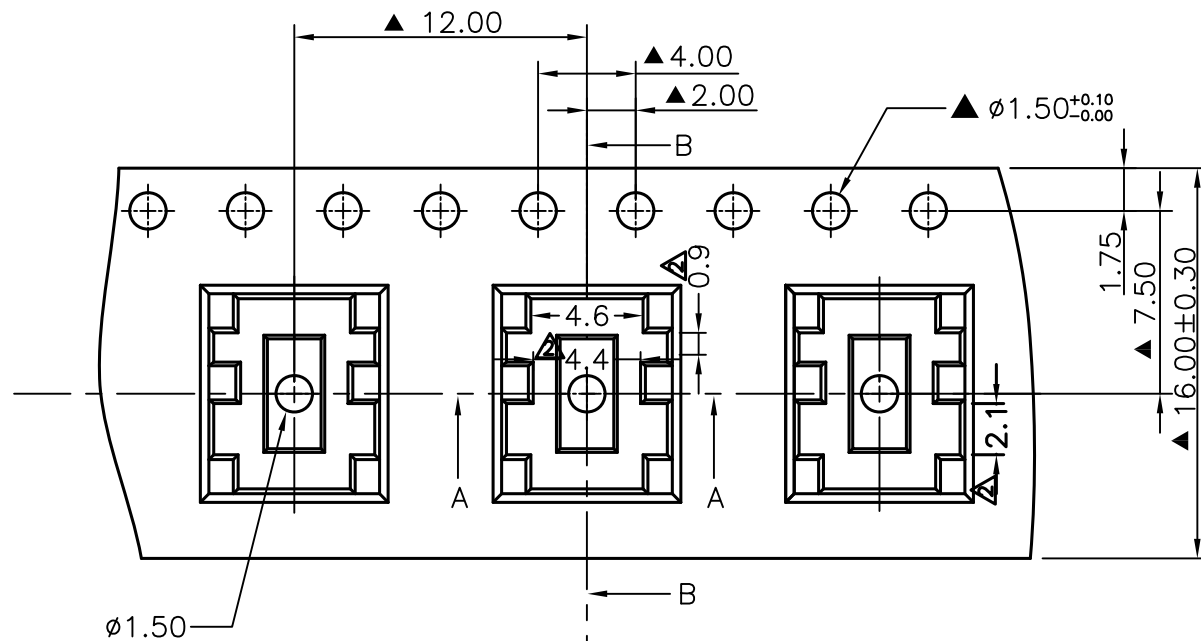


ORDER INFORMATION

SLSW15-VP015R-2X04E2-LF  
 SERIES  
 LEADFREE  
 EMPTY 2nd PIN  
 8 WAY  
 REEL  
 KNOB LENGTH 1.5mm  
 DIP 180° POST

DESCRIPTION:

www.morethanall.com



B-B Section

A-A Section

NOTE:

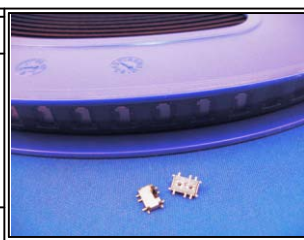
1. Pitch Tolerance Over Any 10 Pitch  $\pm 0.20$  mm.
2. Material: PS Black, Thickness:  $0.35 \pm 0.05$  mm.
3. General Tolerances Max  $\pm 0.10$  mm.

**MORETHANALL**  
PCB CONNECTORS  
Cable ASSEMBLIES  
煜倫股份有限公司

www.morethanall.com

RoHS Compliant

DRAWING BY CY		TOLERANCES ARE X, $\pm$ .X $\pm$ 0.20 .XX $\pm$ 0.10 .XXX $\pm$ ANG $\pm$
CHECKED BY GENIUS		
UNIT / mm	SCALE 1 : 1	
DATE		
SIZE A4	P PROJECTION	



ORDER INFORMATION

**SLSW15-VP015R-2X04E2-LF**  
SERIES  
LEADFREE  
EMPTY 2nd PIN  
8 WAY  
REEL  
DIP 180°  
POST  
KNOB LENGTH 1.5mm

DESCRIPTION: