

NOTES:

- 1.MATERIAL:
 CAGE:COPPER ALLOY,THICKNESS:0.25mm;
 CONNECTOR HOUSING:GLASS FILLED THERMOPLASTIC;
 UL 94V-0 COLOR:BLACK
 TERMINALS:PHOSPHOR BRONZE
- 2.FINISH
 TERMINALS CONTACT AREA:PLATED-GOLD;

RoHS Compliant

TOLERANCES ARE

MORETHANALL
 PCB CONNECTORS
 Cable ASSEMBLIES

煜倫股份有限公司

www.morethanall.com

DRAWING BY CY

CHECKED BY GENIUS

UNIT / mm SCALE 1 : 1

DATE

SIZE A4

X ±
 .X ± 0.25
 .XX ± 0.15
 .XXX ± 0.05
 ANG ±

PJECTION

照片框

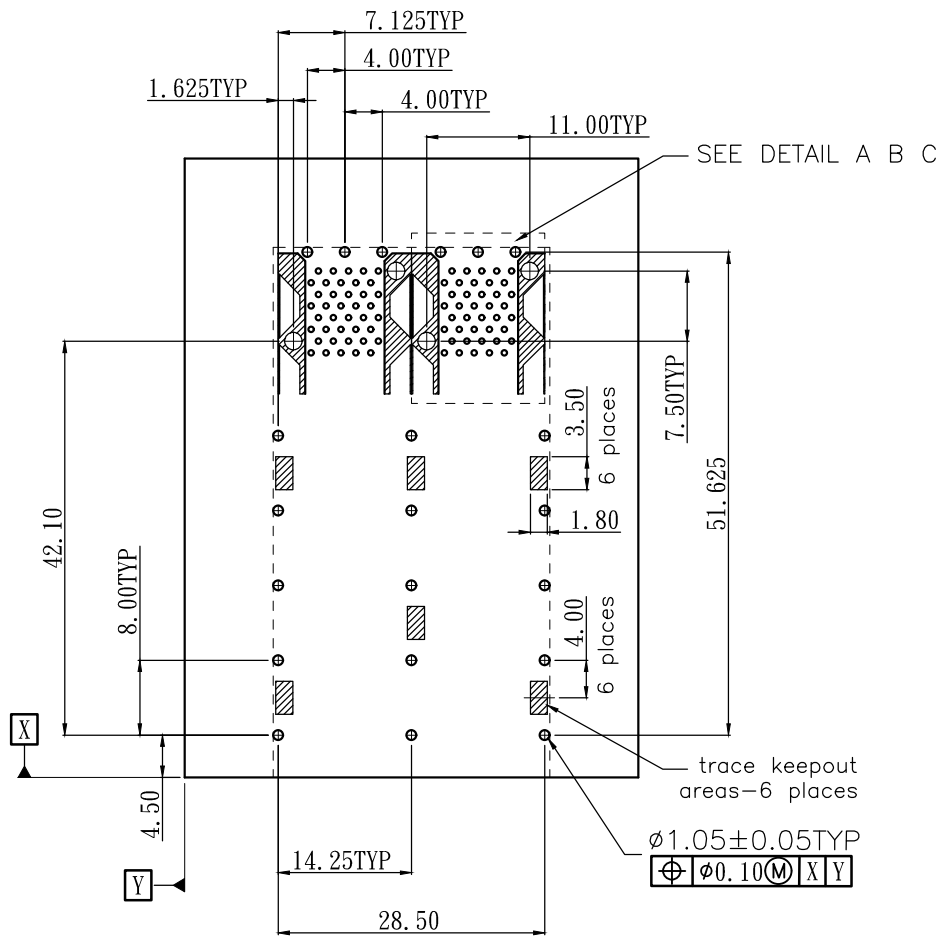
ORDER INFORMATION

SFPB2-SCQ-20-LF

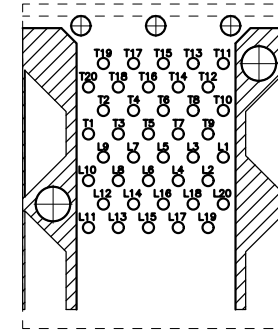
SERIES | | T LEADFREE
 | | | 20 WAY
 | | | DIP 90°PRESS FIT
 CAGE
 FEMALE

DESCRIPTION: SFP 2X2 魚叉型

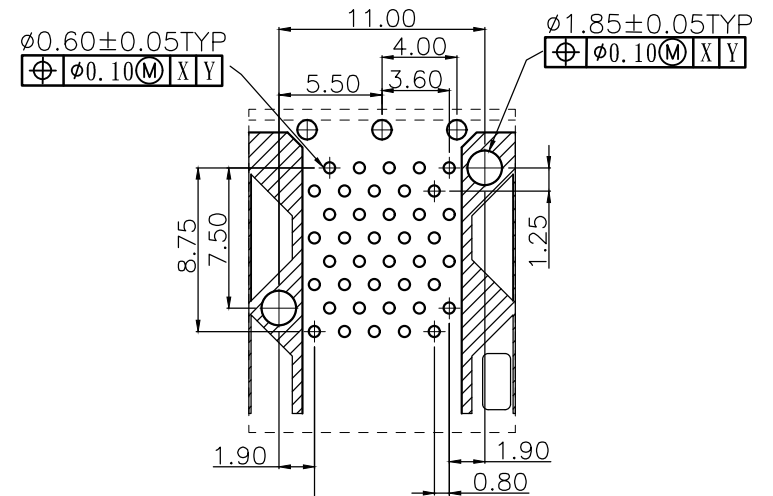
RECOMMENDED PCB THICKNESS:2.36
(MINIMUM PCB THICKNESS:1.57)



RECOMENDED PCB LAOUT (COMPONENT SIDE)
PCB TOLERANCE ±0.05



DETAIL A
SCALE 2:1



DETAIL B
SCALE 2:1

RoHS Compliant

TOLERANCES ARE

MORETHANALL
PCB CONNECTORS
Cable ASSEMBLIES

DRAWING BY CY

X, ±
X ± 0.25
.XX ± 0.15
.XXX ± 0.05
ANG ±

CHECKED BY GENIUS

UNIT / mm SCALE 1:1

DATE

SIZE A4

PJECTION

照片框

ORDER INFORMATION

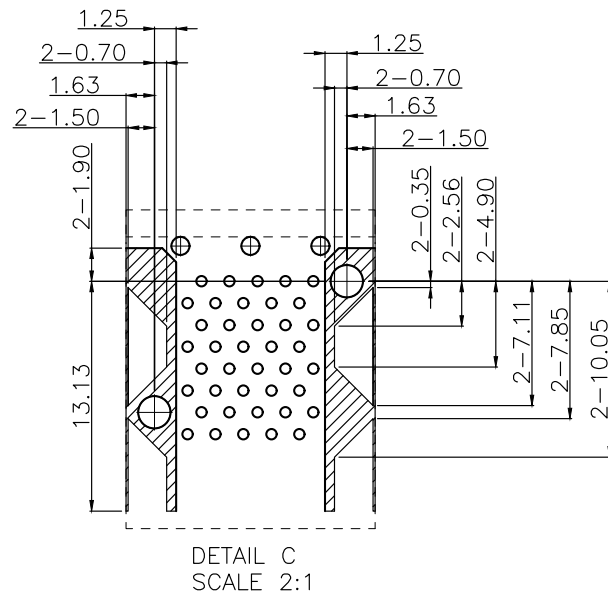
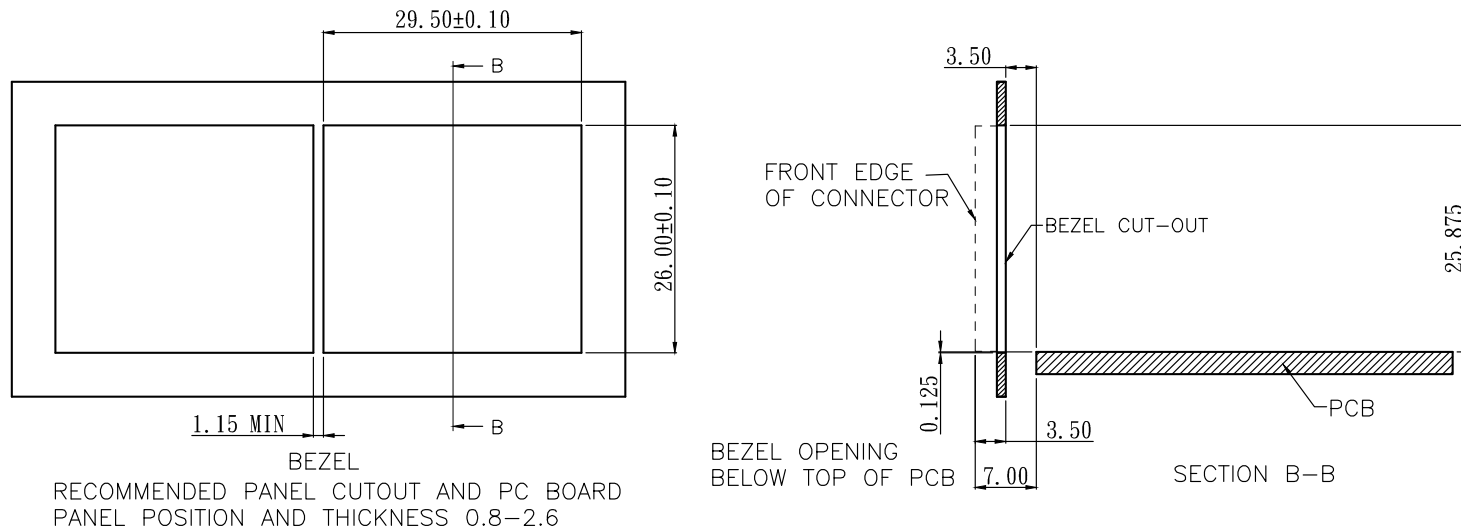
SFPB2-SCQ-20-LF

SERIES LEADFREE
20 WAY
DIP 90°PRESS FIT
CAGE
FEMALE

煜倫股份有限公司

www.morethanall.com

DESCRIPTION: SFP 2X2 魚叉型



RoHS Compliant

TOLERANCES ARE

MORETHANALL
PCB CONNECTORS
Cable ASSEMBLIES

DRAWING BY CY

X, ±
.X ± 0.25
.XX ± 0.15
.XXX ± 0.05
ANG ±

CHECKED BY GENIUS

UNIT / mm SCALE 1:1

DATE

SIZE A4

PPOJECTION

照片框

ORDER INFORMATION

SFPB2-SCQ-20-LF

SERIES | | | LEADFREE
20 WAY
DIP 90° PRESS FIT
CAGE
FEMALE

煜倫股份有限公司

www.morethanall.com

DESCRIPTION: SFP 2X2 魚叉型