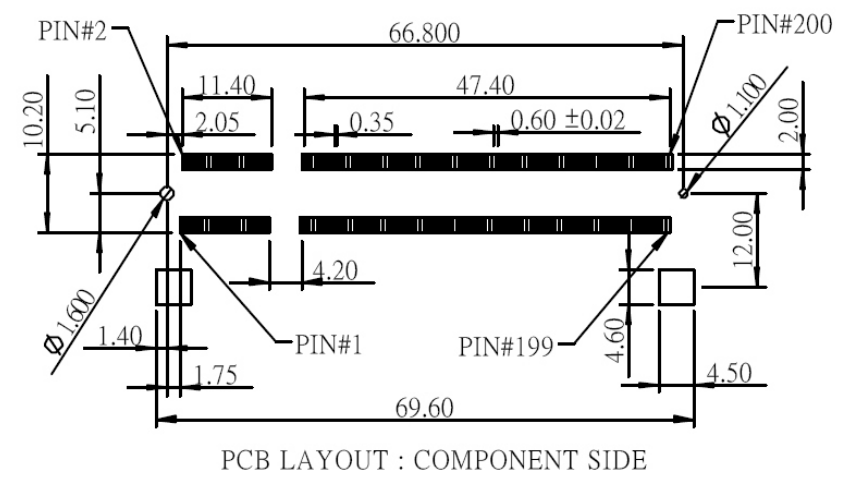
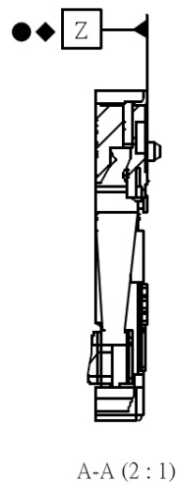
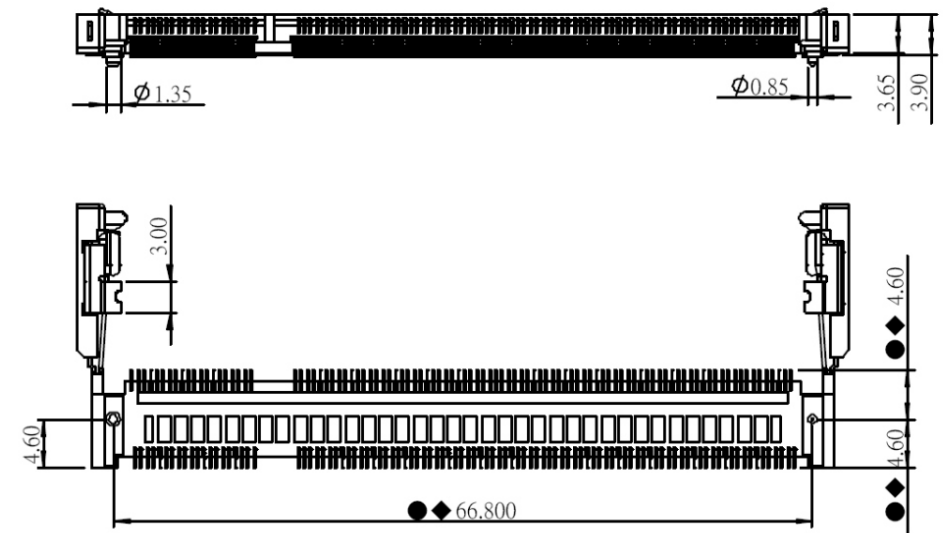


NOTE:
 1. SOLDER TAIL TO BE WITHIN 0.05 UPWARD AND 0.2 DOWNWARD FROM Z-DATUM PLACE, AND COPLANALITY OF SOLDER TAILS TO BE WITHIN 0.10. MEASUREMENT POINT IS SOLDER TAIL TIP.
 2. CONTACT PLATING: UNDERPLATE 50 μ "NICKEL, CONTACT AREA: GOLD 3 μ "
 3. INSPECTION SYMBOL:
 ● : MANUFACTURER INSPECTION
 ◆ : Q.C INSPECTION

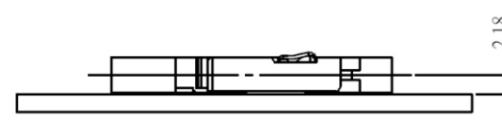
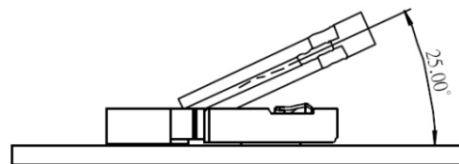
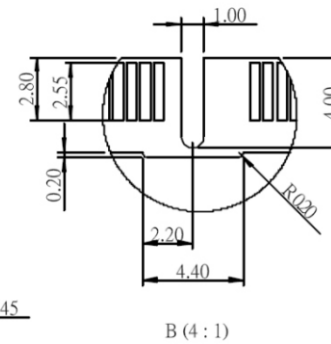
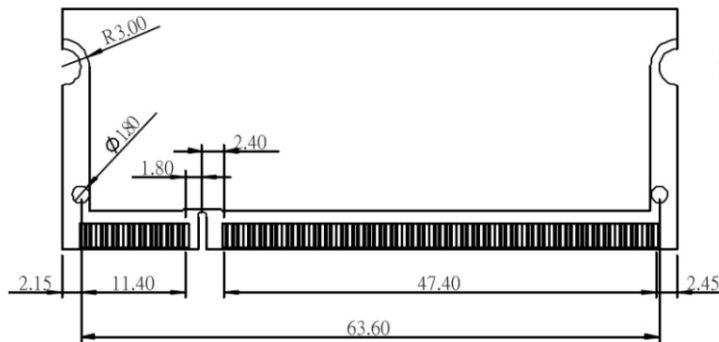
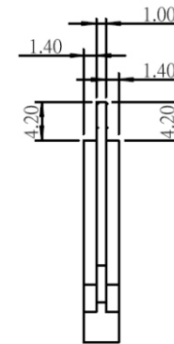
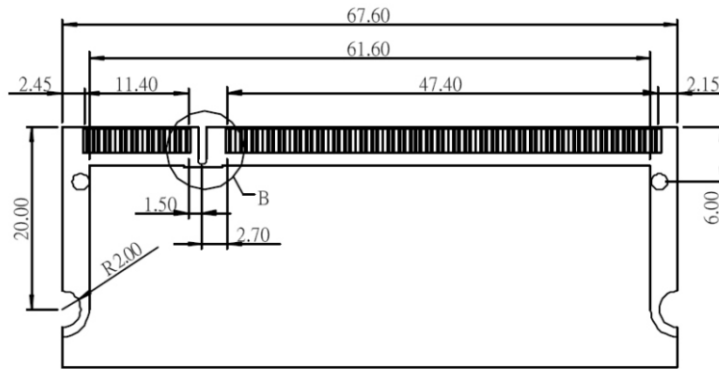


MORETHANALL
 PCB CONNECTORS
 Cable ASSEMBLIES
 煜倫股份有限公司
 www.morethanall.com

RoHS Compliant		TOLERANCES ARE	
DRAWING BY CY		X, ±	
CHECKED BY GENIUS		.X ±	
UNIT / mm	SCALE 1 : 1	.XX ±	
DATE		.XXX ±	
SIZE A4	P PROJECTION	ANG ±	

照片框

ORDER INFORMATION			
SDM6-W40V25-A640-LF			
SERIES	2.5V	200 WAY	LEADFREE
HIGH 4.0mm		90°SMT	
DESCRIPTION:			



MORETHANALL
PCB CONNECTORS
Cable ASSEMBLIES

煜倫股份有限公司

www.morethanall.com

RoHS Compliant

DRAWING BY CY
CHECKED BY GENIUS
UNIT / mm SCALE 1 : 1
DATE
SIZE A4

TOLERANCES ARE

X, ±
.X ±
.XX ±
.XXX ±
ANG ±

PJECTION

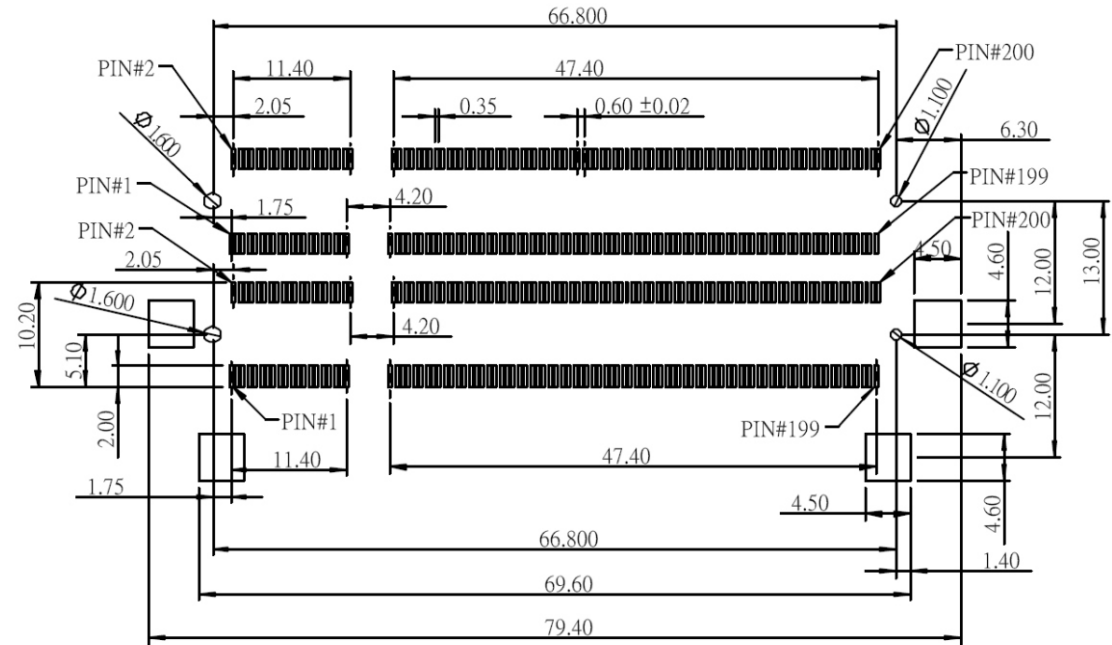
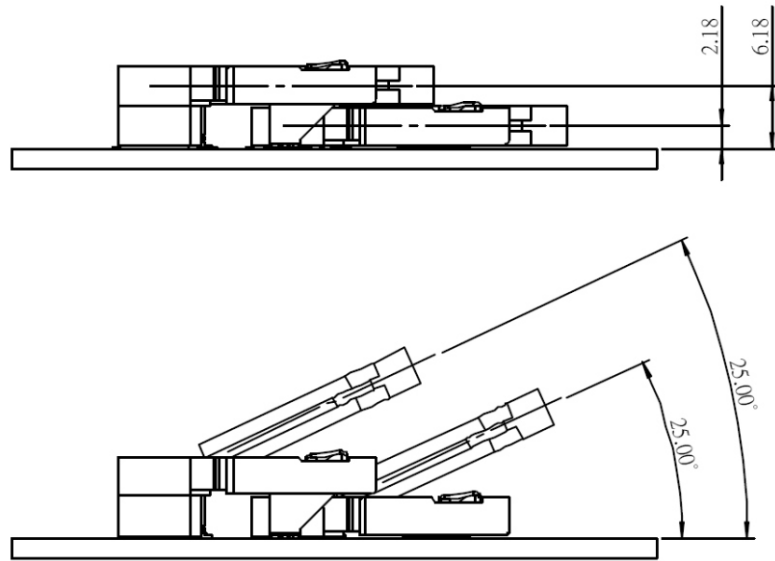
照片框

ORDER INFORMATION

SDM6-W40V25-A640-LF
SERIES | | | LEADFREE
| | | 200 WAY
| | | 2.5V
| | | HIGH 4.0mm
| | | 90°SMT

DESCRIPTION:

DDR S.O. DIMM 200P 4.0&8.0 OVERLAY FIGURE



PCB LAYOUT : COMPONENT SIDE(4.0&8.0 TYPE)

RoHS Compliant

TOLERANCES ARE

MORETHANALL
PCB CONNECTORS
Cable ASSEMBLIES

煜倫股份有限公司

www.morethanall.com

DRAWING BY CY

CHECKED BY GENIUS

UNIT / mm SCALE 1 : 1

DATE

SIZE A4

X, ±
.X ±
.XX ±
.XXX ±
ANG ±

PPOJECTION

照片框

ORDER INFORMATION

SDM6-W40V25-A640-LF

SERIES | | | LEADFREE

2.5V
HIGH 4.0mm

90°SMT

DESCRIPTION: