

NOTE:

1. MATERIAL:

HOUSING : LCP - UL94V-0, COLOR: BLACK
 CONTACTS : COPPER ALLOY
 LOCK LEVER : STAINLESS STEEL

2. FINISH:

CONTACT AREA : REFER TABLE IN SHEET 1.
 SOLDER TAIL AREA : GOLD FLASH OVER 50 MICROINCH / 1.27 MICROMETER NICKEL.
 LOCK LEVER SOLDER PAD : 100 MICROINCH / 2.54 MICROMETER MATTE TIN OVER 50 MICROINCH / 1.27 MICROMETER NICKEL.

3. RECOMMENDED MODULE LAYOUT SHALL BE AS PER JEDEC

4. EDGE OF CONTACT PADS SHALL BE FREE OF BURRS AND EXTERNAL TIE BARS.

5. THE ADDITION OF THIS BEVEL IS A FABRICATION OPTION AND IS NOT REQUIRED. THE BEVEL AIDS THE INSERTION OF THE MODULES INTO THE CONNECTOR. THE BEVEL MUST NOT ENCORACH ONTO GOLD OADS.

6. COPLANARITY INCLUDES HOLD DOWN 0.1 MAX.

RoHS Compliant

TOLERANCES ARE

MORETHANALL
 PCB CONNECTORS
 Cable ASSEMBLIES

DRAWING BY CY

CHECKED BY GENIUS

UNIT / mm

SCALE 1 : 1

DATE

SIZE A4

PJECTION

X, ±
 .X ± 0.25
 .XX ± 0.20
 .XXX ±
 ANG ±

照片框

ORDER INFORMATION

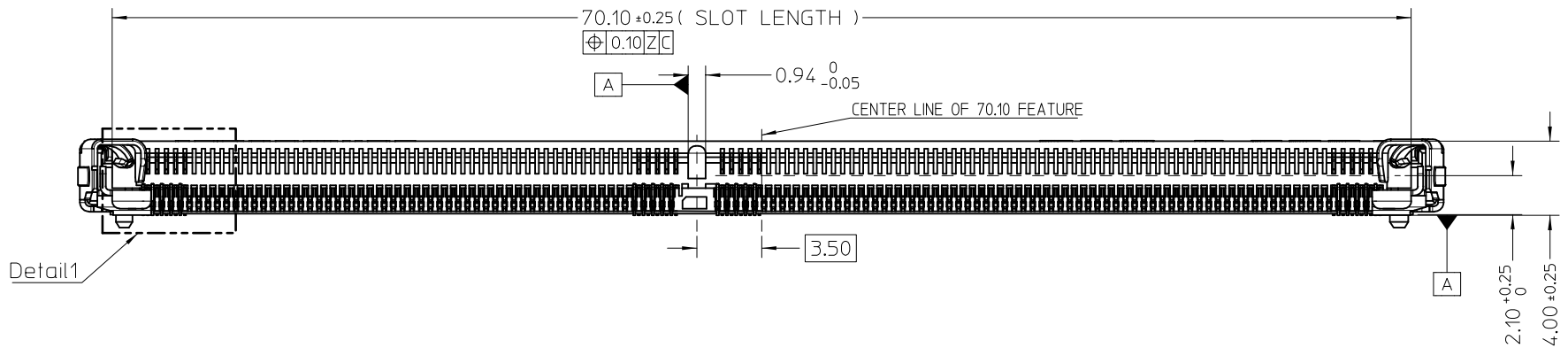
SDM5-W40V12-144116-LF

SERIES | 12V | LEADFREE
 | HIGH 4.0mm | 144+116 WAY
 90°SMT

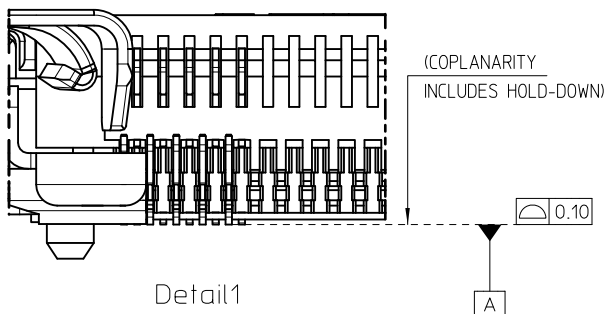
DESCRIPTION:DDR4 4.0H CONNECTOR 0.50MM PITCH, 260CIRCUITS STANDARD TYPE, SMT TYPE

煜倫股份有限公司

www.morethanall.com



Detail1



Detail1

RoHS Compliant

TOLERANCES ARE

MORETHANALL
PCB CONNECTORS
Cable ASSEMBLIES

DRAWING BY CY

X, ±

CHECKED BY GENIUS

.X ± 0.25

UNIT / mm

SCALE 1 : 1

.XX ± 0.20

DATE

.XXX ±

ANG ±

煜倫股份有限公司

www.morethanall.com

SIZE A4

P PROJECTION

照片框

ORDER INFORMATION

SDM5-W40V12-144116-LF

SERIES | | | LEADFREE

| | | 144+116 WAY

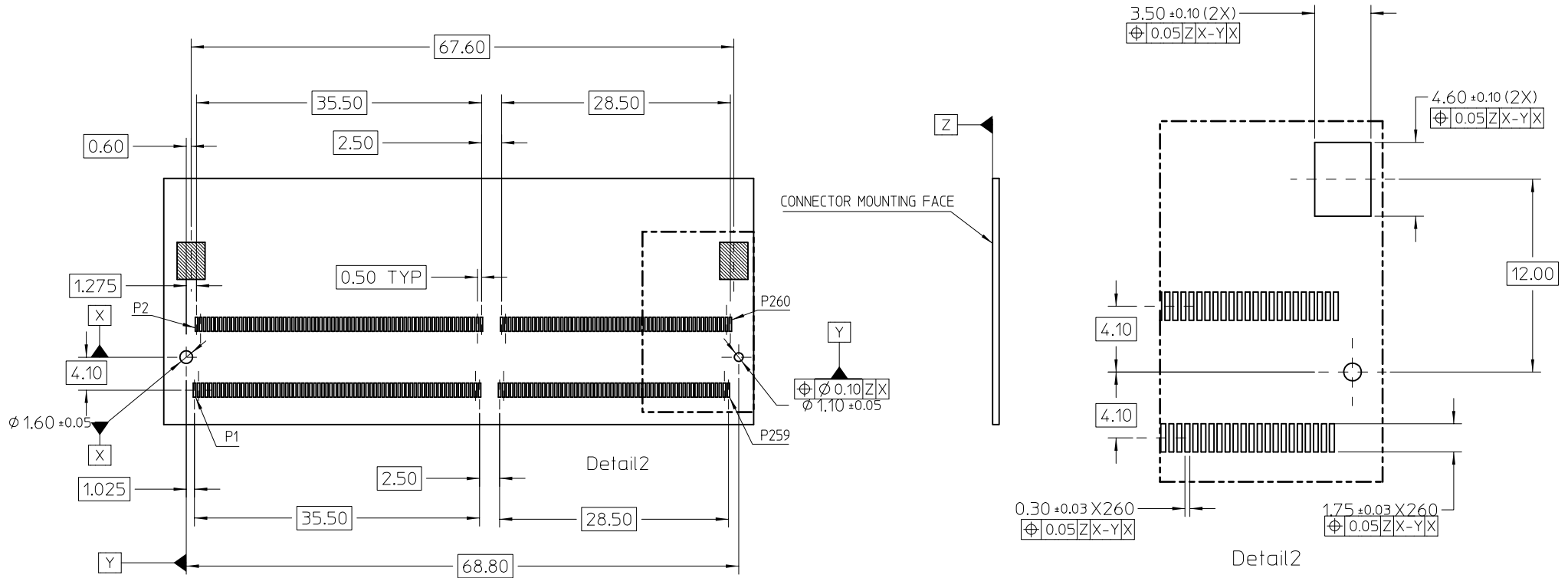
| | | 12V

| | | HIGH 4.0mm

| | | 90°SMT

DESCRIPTION: DDR4 4.0H CONNECTOR 0.50MM PITCH, 260CIRCUITS STANDARD TYPE, SMT TYPE

RECOMMENDED PCB LAYOUT (PLS REFER TO THE JEDEC SPEC.)



RoHS Compliant

TOLERANCES ARE

MORETHANALL
PCB CONNECTORS
Cable ASSEMBLIES

DRAWING BY CY
CHECKED BY GENIUS
UNIT / mm SCALE 1 : 1
DATE

X, ±
.X ± 0.25
.XX ± 0.20
.XXX ±
ANG ±

照片框

ORDER INFORMATION

SDM5-W40V12-144116-LF
SERIES | 12V | LEADFREE
HIGH 4.0mm | 144+116 WAY
90°SMT

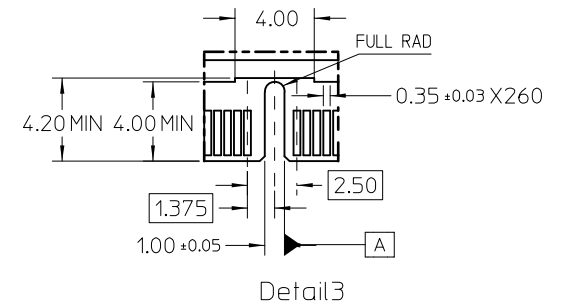
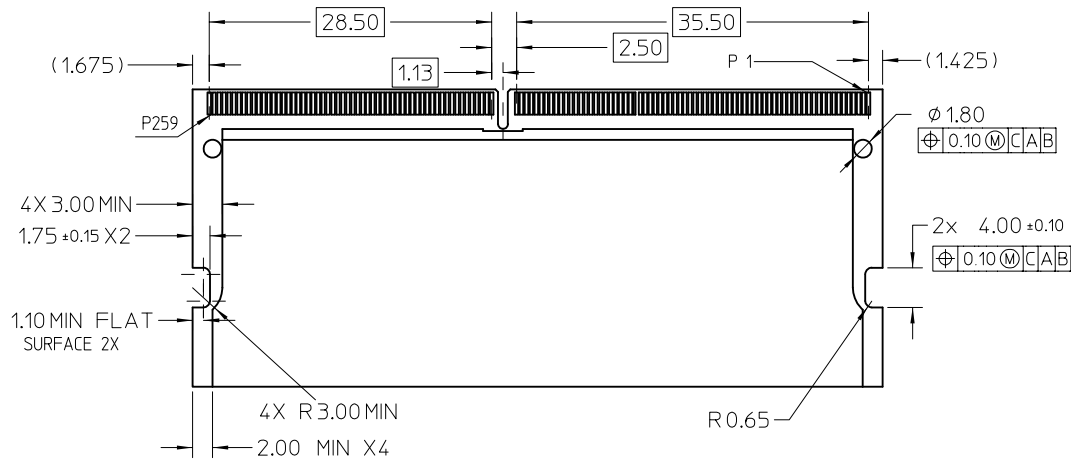
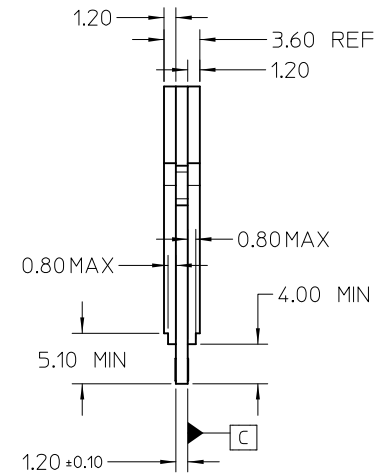
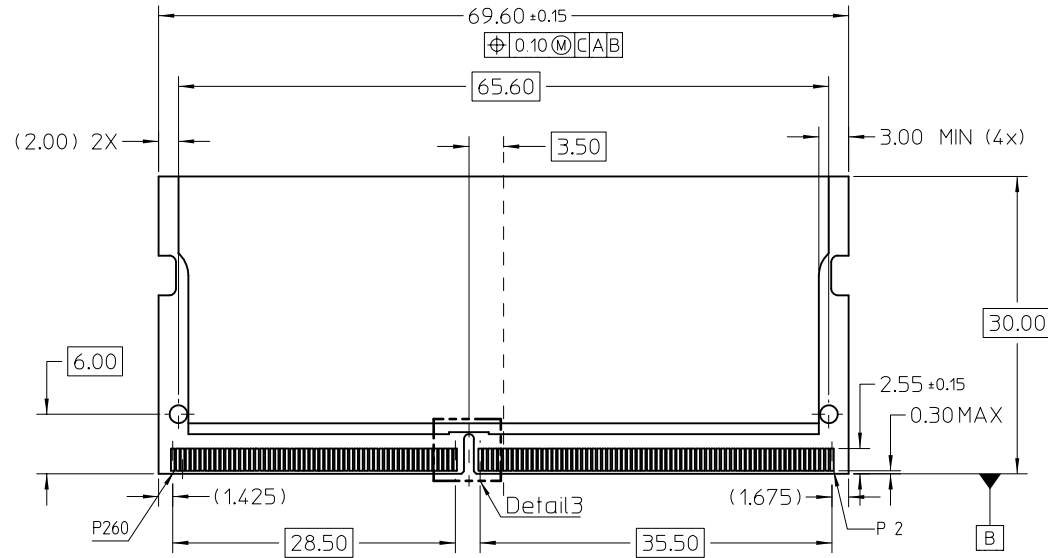
煜倫股份有限公司

www.morethanall.com

SIZE A4 PROJECTION

DESCRIPTION: DDR4 4.0H CONNECTOR 0.50MM PITCH, 260CIRCUITS STANDARD TYPE, SMT TYPE

RECOMMENDED MATING PCB CONFIGURATION



RoHS Compliant

TOLERANCES ARE

MORETHANALL
PCB CONNECTORS
Cable ASSEMBLIES

DRAWING BY CY

X, ±

CHECKED BY GENIUS

.X ± 0.25

UNIT / mm

SCALE 1 : 1

.XX ± 0.20

DATE

.XXX ±

ANG ±

SIZE A4

P PROJECTION

照片框

ORDER INFORMATION

SDM5-W40V12-144116-LF

SERIES

12V

HIGH 4.0mm

90°SMT

LEADFREE

144+116 WAY

煜倫股份有限公司

www.morethanall.com

DESCRIPTION: DDR4 4.0H CONNECTOR 0.50MM PITCH, 260CIRCUITS STANDARD TYPE, SMT TYPE