

Recommended PCB Layout
(PCB Board Tolerance ± 0.05)

SPECIFICATION

Current Rating: 1.5A
 Voltage Rating: 12V AC
 Contact Resistance: 45m Ω Max.
 Insulation Resistance: 1000M Ω Min.
 Dielectric Voltage: 500V AC for one minute
 Operating Temperature: -25°C to +85°C

MATERIAL

Insulator: LCP(HF), UL94V-0, Black
 Terminal: Copper Alloy T=0.25, Gold Plated on Contact area,
 Matte Tin on Solder tail over Nickel 50u" Plated
 Peg: Copper Alloy T=0.30, Matte Tin over Nickel 50u"
 Spring: SUS304, T=0.25mm

RoHS Compliant

TOLERANCES ARE



煜倫股份有限公司

www.morethanall.com

DRAWING BY CY

CHECKED BY GENIUS

UNIT / mm

SCALE 1 : 1

DATE

SIZE A4

X, \pm
 .X \pm 0.25
 .XX \pm 0.20
 .XXX \pm 0.15
 ANG \pm

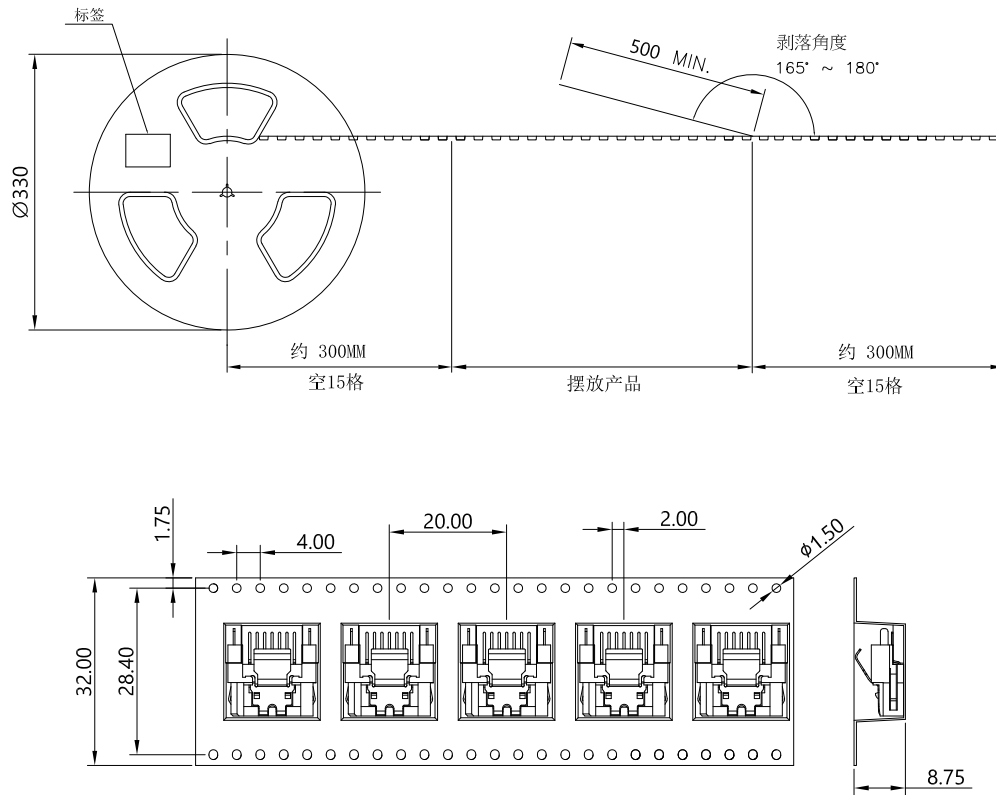
PPOJECTION

照片框

ORDER INFORMATION

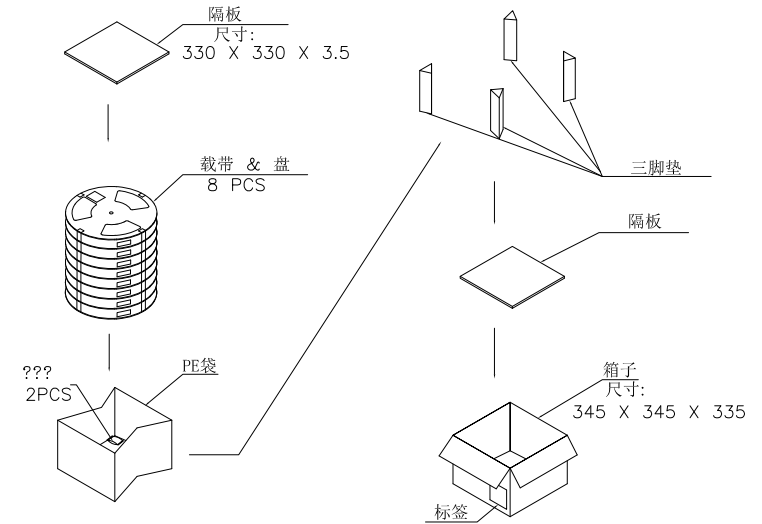
SATA-SD12MLR-07-LF
 SERIES | | | | | LEADFREE
 | | | | | 07 WAY
 | | | | | REEL
 | | | | | METAL LOCK
 FEMALE | | | | | HIGH 12.1mm
 | | | | | DIP 180°

DESCRIPTION: SATA Female 07P Vertical DIP Type With Spring & Peg



NOTE:

- MATERIAL:
 BOX: FIBREBOARD, CORRUGATED, DOUBLE WALL.
 TAPE: POLYSTYRENES, HEAT-RESISTANT TEMPERATURE: 120°C, COLOR.
 REEL: POLYSTYRENES, HEAT-RESISTANT TEMPERATURE: 70°C, BLUE COLOR.
 BAG: POLYETHYLENE, HEAT-RESISTANT TEMPERATURE: 100°C.
- PEELING STRENGTH: 0. ~1 N(0~1 0 GRAMS)
- PEELING SPEED: 300 mm/min.



BOM表

料号	品名规格	用量
PK-51	下载带 带宽32 P=20mm 黑色	65.6 M
PK-9	上载带 带宽25.5mm 透明	65.6 M
PK-7	胶盘 Ø330 BLUE	8 PCS
PK-4028	隔板 330*330*3.5mm (K3A)	2 PCS
PK-3	外箱 345*345*335 (K=A)	1 PCS
PK-0021	防水袋 900*600	1 PCS
PK-4053	三角垫 95*95*130 H=305mm	4 PCS

380	8	3040
PCS/TAPE	REELS/BOX	QUANTITY

RoHS Compliant

TOLERANCES ARE

MORETHANALL
 PCB CONNECTORS
 Cable ASSEMBLIES
煜倫股份有限公司
www.morethanall.com

DRAWING BY CY		X. ± .X ± 0.25 .XX ± 0.20 .XXX ± 0.15 ANG ±
CHECKED BY GENIUS		
UNIT / mm	SCALE 1 : 1	
DATE		
SIZE A4	PJECTION	

照片框

ORDER INFORMATION

SATA-SD12MLR-07-LF
 SERIES | | | | | LEADFREE
 | | | | | 07 WAY
 | | | | | REEL
 | | | | | METAL LOCK
 FEMALE | | | | | HIGH 12.1mm
 | | | | | DIP 180°

DESCRIPTION: SATA Female 07P Vertical DIP Type With Spring & Peg