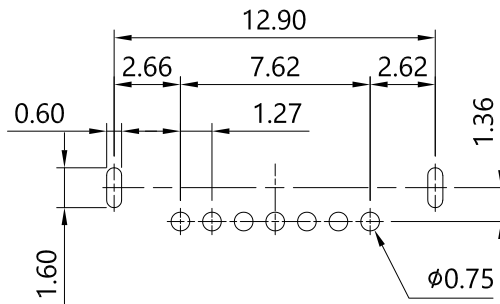
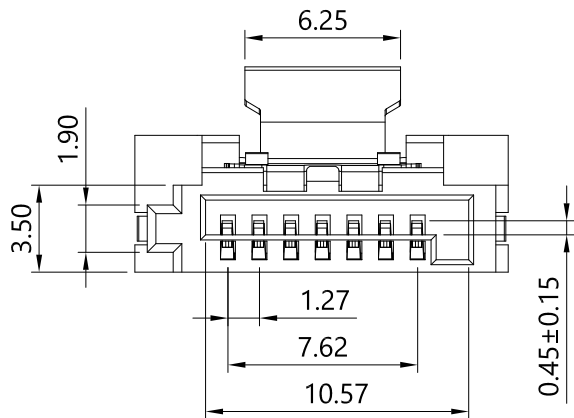


**SPECIFICATION**

Current Rating: 1.5A  
 Voltage Rating: 12V AC  
 Contact Resistance: 45mΩ Max.  
 Insulation Resistance: 1000MΩ Min.  
 Dielectric Voltage: 500V AC for one minute  
 Operating Temperature: -25°C to +85°C

**MATERIAL**

Insulator: LCP(HF), UL94V-0, Black  
 Terminal: Copper Alloy T=0.25, Gold Plated on Contact area,  
 Matte Tin on Solder tail over Nickel 50u" Plated  
 Peg: Copper Alloy T=0.30, Matte Tin over Nickel 50u"  
 Spring: SUS304, T=0.25mm



Recommended PCB Layout  
 (PCB Board Tolerance±0.05)

RoHS Compliant

TOLERANCES ARE



煜倫股份有限公司

www.morethanall.com

DRAWING BY CY

CHECKED BY GENIUS

UNIT / mm

SCALE 1 : 1

DATE

SIZE A4

PPOJECTION

X, ±  
 .X ± 0.25  
 .XX ± 0.20  
 .XXX ± 0.15  
 ANG ±

照片框

ORDER INFORMATION

SATA-SD12ML-07-LF  
 SERIES | | | | | T LEADFREE  
 | | | | | 07 WAY  
 | | | | | METAL LOCK  
 | | | | | HIGH 12.1mm  
 | | | | | DIP 180°  
 | | | | | FEMALE

DESCRIPTION: SATA Female 07P Vertical DIP Type With Spring & Peg