

MATERIAL

INSULATION: VINYL
 MATERIAL: COPPER
 TIN PLATING

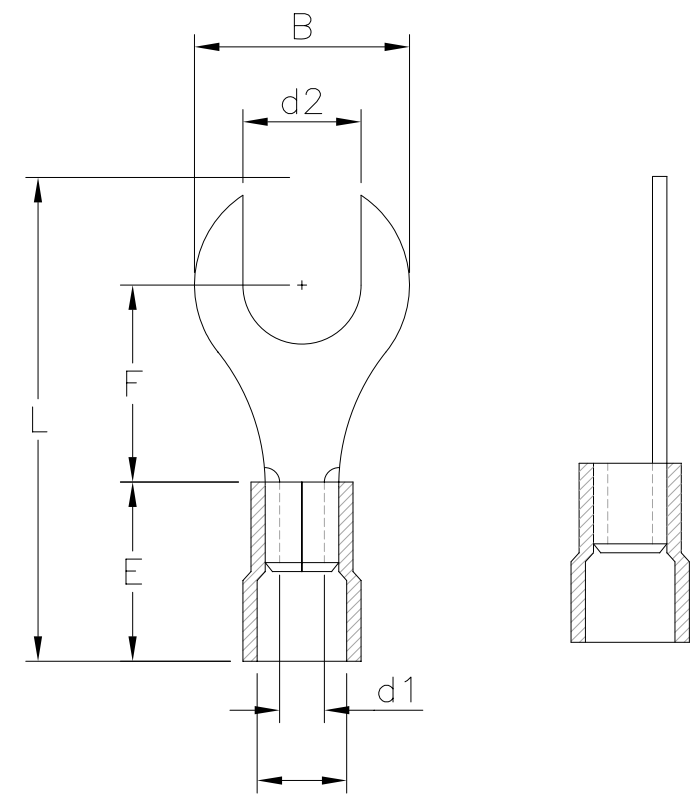
NOTE:

1. MAXIMUM ELECTRICAL RATING: 105°C 600 VOLTS
2. WIRE RANGE: 22-16 AWG / 0.5-1.5 mm²
 INSULATED COLOR: RED
3. WIRE RANGE: 16-14 AWG / 1.5-2.5 mm²
 INSULATED COLOR: BLUE
4. WIRE RANGE: 12-10 AWG / 4-6 mm²
 INSULATED COLOR: YELLOW
5. MATERIAL THICKNESS: t
 TOLERANCE: ±0.05

MAXIMUM ELECTRIC CURRENT

A. W. G	22	20	18	16	14	12	10
MAX AMP	9	12	17	18	30	35	50

WIRE RANGE AWG/mm ²	產品編號 ITEM NO.	d2 ±0.20	B ±0.20	F ±0.30	L ±1.00	E ±0.60	D ±0.30	d1 ±0.20	t
22-16 AWG 0.5-1.5 mm ²	RTY-V37-16	3.7	8.0	7.0	20.5	10.0	4.1	1.7	0.75
	RTY-V43-16	4.3	8.0	7.0	20.5				
	RTY-V53-16	5.3	8.0	7.0	20.0				
	RTY-V65-16	6.5	11.6	11.1	25.8				
16-14 AWG 1.5-2.5 mm ²	RTY-V37-14	3.7	8.5	7.8	21.5	10.0	4.5	2.3	0.8
	RTY-V43-14	4.3	8.5	7.8	21.5				
	RTY-V53-14	5.3	9.5	7.3	21.2				
	RTY-V65-14	6.5	12.0	11.0	26.0				
12-10 AWG 4-6 mm ²	RTY-V37-10	3.7	9.5	8.3	25.0	12.5	6.5	3.4	1.0
	RTY-V43-10	4.3	9.5	8.3	25.0				
	RTY-V53-10	5.3	9.5	8.3	24.7				
	RTY-V65-10	6.5	12.0	10.5	28.0				
	RTY-V84-10	8.4	15.0	13.7	32.4				



RoHS Compliant

TOLERANCES ARE

MORETHANALL
 PCB CONNECTORS
 Cable ASSEMBLIES

煜倫股份有限公司

www.morethanall.com

DRAWING BY CY

CHECKED BY GENIUS

UNIT / mm SCALE 1:1

DATE

SIZE A4

X, ±
 .X ±
 .XX ±
 .XXX ±
 ANG ±

P PROJECTION

照片框

ORDER INFORMATION

RTY-Vxx-xx-LF
 SERIES | LEADFREE
 16: 16-22 AWG
 14: 14-16 AWG
 10: 10-12 AWG
 VINYL 37: 3.7 d2
 84: 8.4 d2

DESCRIPTION: