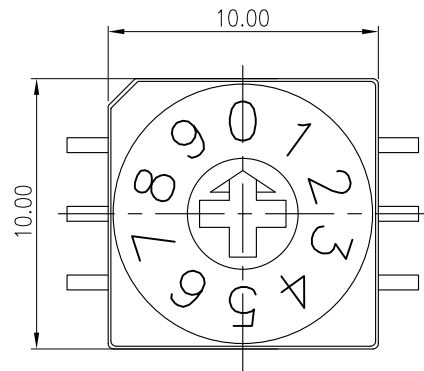
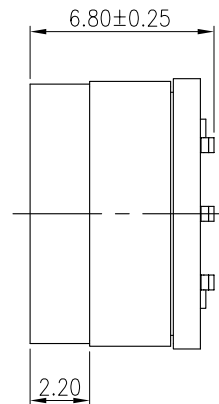


RTSW10-V068-16RAP



RTSW10-V068-10RAP

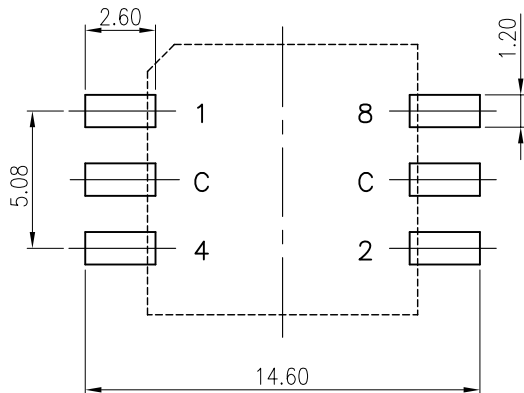


NOTE:

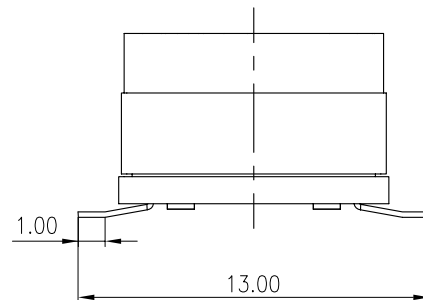
1.GENERAL TOLERANCES MAX.±0.20mm.

SPECIFICATIONS

- 1.RATING : NON SWITCHING RATING 24VDC 400mA
SWITCHING RATING 24VDC 150mA
- 2.LIFF : 10,000 STEPS
- 3.OPERATING FORCE : 400gf·cm Max.
- 4.INITIAL CONTACT RESISTANCE : 100mOhm Max.
- 5.DIELECTRIC STRENGTH : AC 250V 1 MINUTE
- 6.INSULATION RESISTANCE : 100MOhm Min.
(DC 250V MEGGER)
- 7.OPERATING TEMPERATURE : -60°C TO 125°C



P.C.B. LAYOUT



TYPE	CIRCUIT CHARACTERISTICS																	
	CODE	POSITION										●ON						
RTSW10-V068-10RAP		0	1	2	3	4	5	6	7	8	9	A	B	C	D	E	F	
	1	●																
	2		●	●					●	●								
	4					●	●	●	●									
8										●	●							

TYPE	CIRCUIT CHARACTERISTICS																	
	CODE	POSITION										●ON						
RTSW10-V068-16RAP		0	1	2	3	4	5	6	7	8	9	A	B	C	D	E	F	
	1	●																●
	2		●	●						●	●			●	●		●	●
	4					●	●	●	●					●	●	●	●	●
8											●	●	●	●	●	●	●	

RoHS Compliant

TOLERANCES ARE

MORETHANALL
PCB CONNECTORS
Cable ASSEMBLIES

煜倫股份有限公司

www.morethanall.com

DRAWING BY CY

CHECKED BY GENIUS

UNIT / mm SCALE 1 : 1

DATE

SIZE A4

X. ±
.X ±
.XX ±
.XXX ±
ANG ±

PPOJECTION

照片框

ORDER INFORMATION

RTSW10-V068-xxRAP-LF

SERIES

LEADFREE
REAL CODE AP TYPE

10
16
HIGH 6.8mm
180°SMT

DESCRIPTION: ROTARY SWITCH