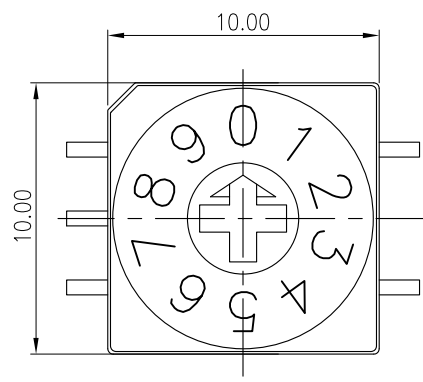
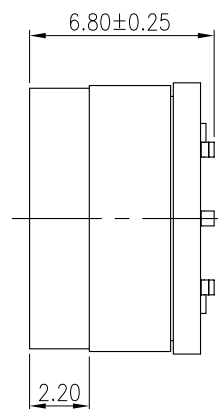


RTSW10-V068-16GAP



RTSW10-V068-10GAP

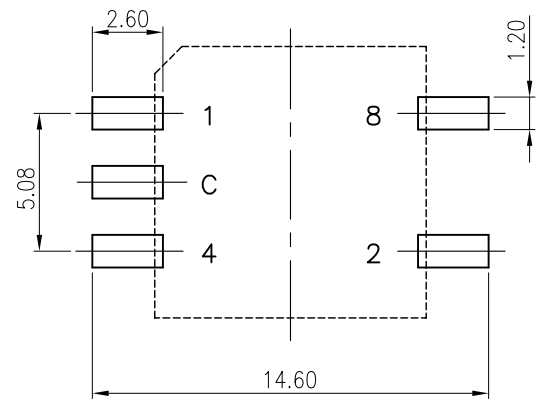


NOTE:

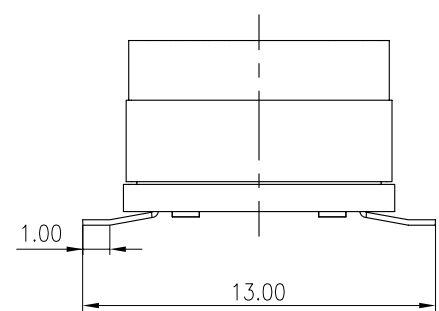
1.GENERAL TOLERANCES MAX.±0.20mm.

SPECIFICATIONS

- 1.RATING : NON SWITCHING RATING 24VDC 400mA
SWITCHING RATING 24VDC 150mA
- 2.LIFF : 10,000 STEPS
- 3.OPERATING FORCE : 400gf·cm Max.
- 4.INITIAL CONTACT RESISTANCE : 100mOhm Max.
- 5.DIELECTRIC STRENGTH : AC 250V 1 MINUTE
- 6.INSULATION RESISTANCE : 100MOhm Min.
(DC 250V MEGGER)
- 7.OPERATING TEMPERATURE : -60°C TO 125°C



P.C.B. LAYOUT



TYPE	CIRCUIT CHARACTERISTICS																
	CODE	POSITION								●ON							
		0	1	2	3	4	5	6	7	8	9	A	B	C	D	E	F
RTSW10-V068-10GAP	1	●		●		●		●		●							
	2		●		●		●		●								
	4				●	●	●	●									
	8									●	●						
TYPE	CIRCUIT CHARACTERISTICS																
	CODE	POSITION								●ON							
		0	1	2	3	4	5	6	7	8	9	A	B	C	D	E	F
RTSW10-V068-16GAP	1	●		●		●		●		●		●		●		●	
	2		●		●		●		●			●		●		●	
	4				●	●	●	●					●	●	●	●	
	8										●	●	●	●	●	●	●

RoHS Compliant

TOLERANCES ARE

MORETHANALL
PCB CONNECTORS
Cable ASSEMBLIES
煜倫股份有限公司
www.morethanall.com

DRAWING BY CY		X.± .X± .XX± .XXX± ANG±
CHECKED BY GENIUS		
UNIT / mm	SCALE 1 : 1	
DATE		
SIZE A4	PJECTION	



ORDER INFORMATION

RTSW10-V068-xxGAP-LF
SERIES | LEADFREE GREY CODE AP TYPE
10 | 16 | HIGH 6.8mm
180°SMT

DESCRIPTION: ROTARY SWITCH