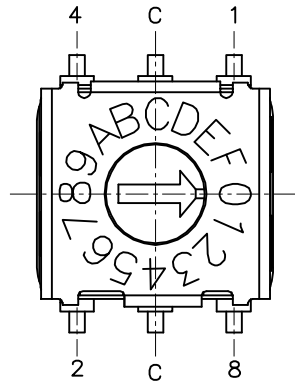
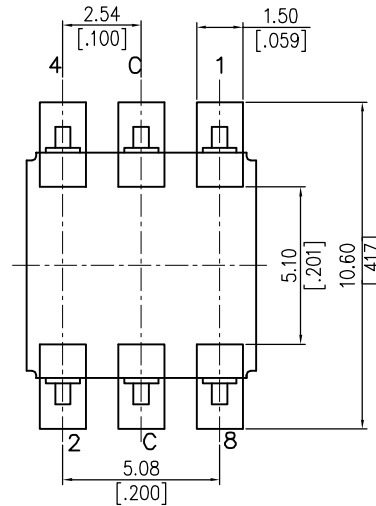


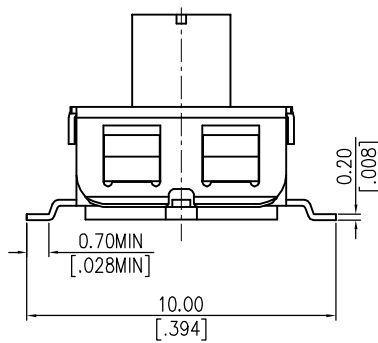
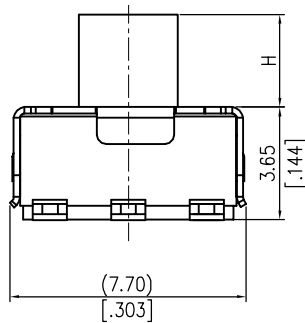
RTSW07-Vxxx-10RA



RTSW07-Vxxx-16RA



P.C.B. LAYOUT



NAME	H
RTSW07-V036-10RA	0
RTSW07-V036-16RA	
RTSW07-V066-10RA	3.00 [.1181]
RTSW07-V066-16RA	

TYPE	POSITION □□R	CODE			
		1	2	4	8
10 STEP	0	●	●	●	●
	1	○	●	●	●
	2	●	○	●	●
	3	○	○	●	●
	4	●	●	○	●
	5	○	●	○	●
	6	●	○	○	●
	7	○	○	○	●
	8	●	●	●	○
	9	○	●	●	○
16 STEP	A	●	○	●	○
	B	○	○	●	○
	C	●	●	○	○
	D	○	●	○	○
	E	●	○	○	○
	F	○	○	○	○

CIRCUIT CHART

Note:

- All dimensions are in millimeters, bracketed dimension are in inches.
- General tolerances Max:±0.2mm[±0.008]

Specifications:

- Contact Rating:Gold: 100mA max 10µA min DC 30V
- Contact Resistance:100 m Ω max;150mΩ after life
- Operating Temperature:-40°C to 85 °C
- Storage Temperature:-40°C to 85 °C
- Electrical Life:1,5000 Steps min

RoHS Compliant

TOLERANCES ARE

MORETHANALL
PCB CONNECTORS
Cable ASSEMBLIES

煜倫股份有限公司

www.morethanall.com

DRAWING BY CY

CHECKED BY GENIUS

UNIT / mm SCALE 1 : 1

DATE

SIZE A4

X, ±
.X ±
.XX ±
.XXX ±
ANG ±

P PROJECTION

照片框

ORDER INFORMATION

RTSW07-Vxxx-xxRA-LF

SERIES

180°SMT

LEADFREE

REAL CODE A TYPE

10 STEP

16 STEP

036:HIGH 3.65mm

066:HIGH 6.65mm

DESCRIPTION: