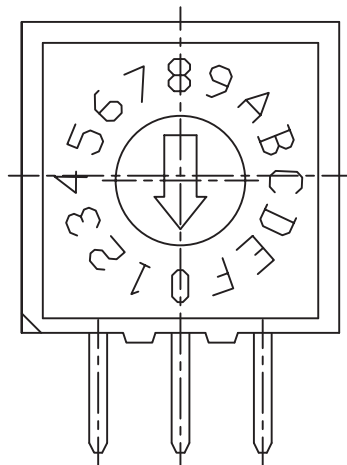
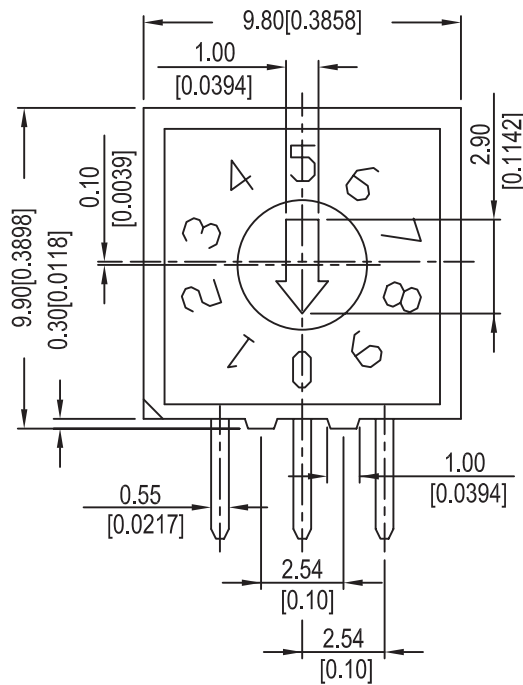


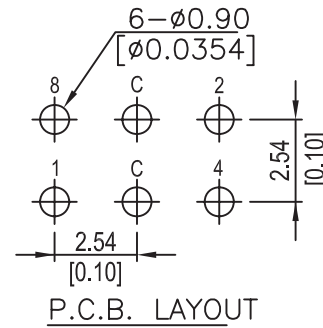
RTSW-R-16C



RTSW-R-16



RTSW-R-10

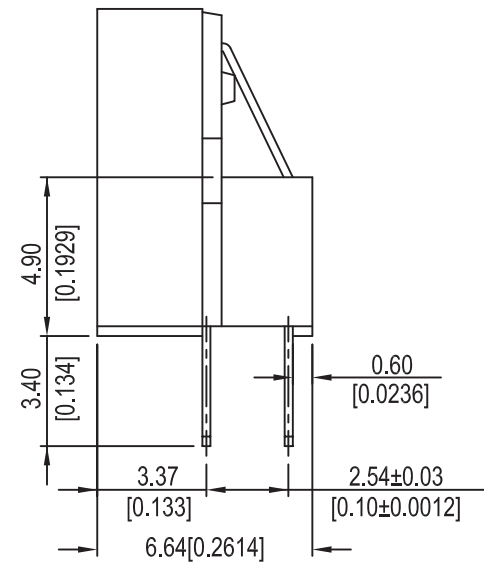


NOTE:

1. ALL DIMENSIONS ARE IN MILLIMETERS ,
BRACKETED DIMENSION ARE IN INCHS.
2. GENERAL TOLERANCE: ±0.2 mm

Available Mode No.
RTSW-R-10
RTSW-R-16
RTSW-R-16C

RTSW-R-xx-LF
LEADFREE
RoHS Compliant



TYPE	POSITION	CODE			
		1	2	4	8
10 STEP	0	●	●	●	●
	1	○	●	●	●
	2	●	○	●	●
	3	○	○	●	●
	4	●	●	○	●
	5	○	●	○	●
	6	●	○	○	●
	7	○	○	○	●
	8	●	●	●	○
	9	○	●	●	○
16 STEP	A	●	○	●	○
	B	○	○	●	○
	C	●	●	○	○
	D	○	●	○	○
	E	●	○	○	○
	F	○	○	○	○

CIRCUIT CHART

MORETHANALL
CONNECTORS
ASSEMBLIES

PART NO. RTSW-R-xx

DWG NO. RTSW-R-xx

FILE NO.

UNIT / mm

SCALE 1:1

CHECKED BY CY

DRAWING BY

PROJECTION



TOLERANCES ARE

.X ± 0.2
.XX ±
.XXX ±
AWG

DESCRIPTION:

ROTARY TYPE DIP SWITCH

AREA

REVISIONS

HK

DATE

煜倫股份有限公司