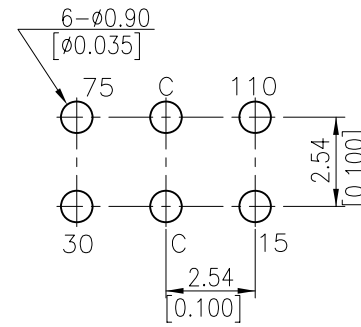
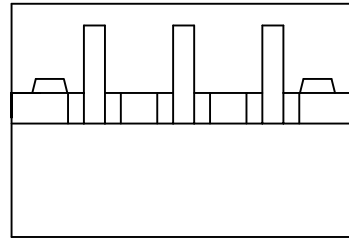


NOTE :

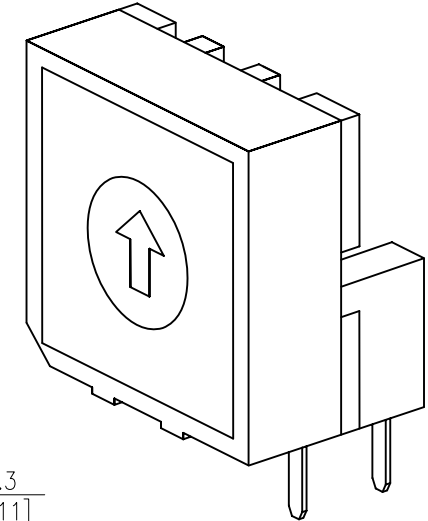
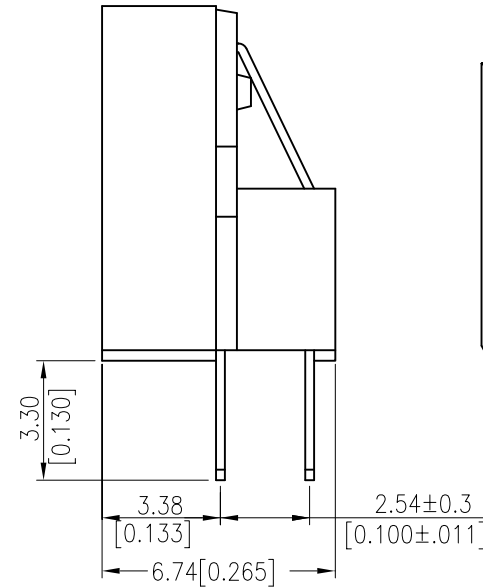
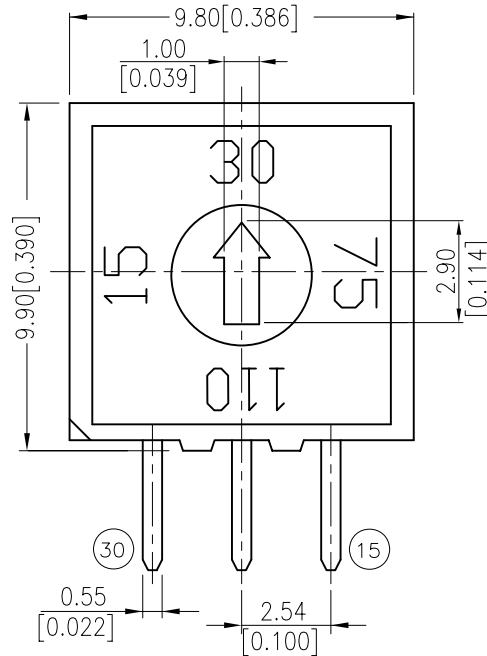
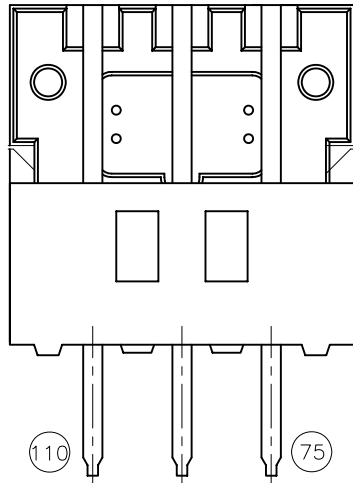
1. ALL DIMENSIONS ARE IN MILLIMETERS ,
BRACKETED DIMENSION ARE IN INCHS.
2. GENERAL TOLERANCE: ± 0.2 mm



POSITION	CODE			
	15	30	75	110
15	○	●	●	●
30	●	○	●	●
75	●	●	○	●
110	●	●	●	○

P.C.B. LAYOUT

CIRCUIT CHART



RoHS Compliant

TOLERANCES ARE

MORETHANALL
PCB CONNECTORS
Cable ASSEMBLIES

DRAWING BY CY

X.±

CHECKED BY GENIUS

.X±

UNIT / mm

SCALE 1 : 1

.XX±

DATE

.XXX±

ANG ±

SIZE A4

P PROJECTION

照片框

ORDER INFORMATION

RTSW-R-04-LF

SERIES | T LEADFREE
04 WAY
DIP 90°

煜倫股份有限公司

www.morethanall.com

DESCRIPTION: SELECTOR TYPE DIP SWITCH