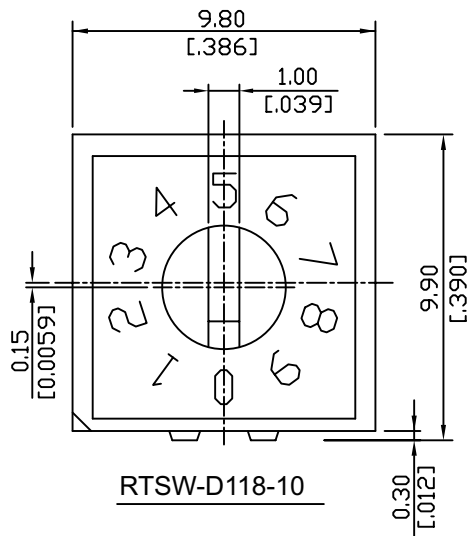
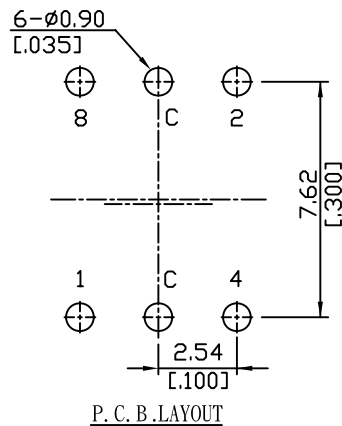


RTSW-D118-16

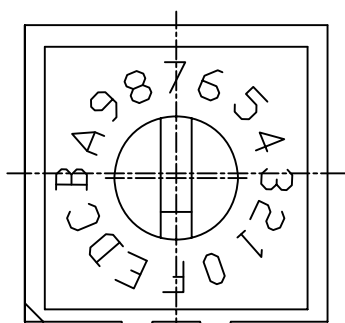


RTSW-D118-10

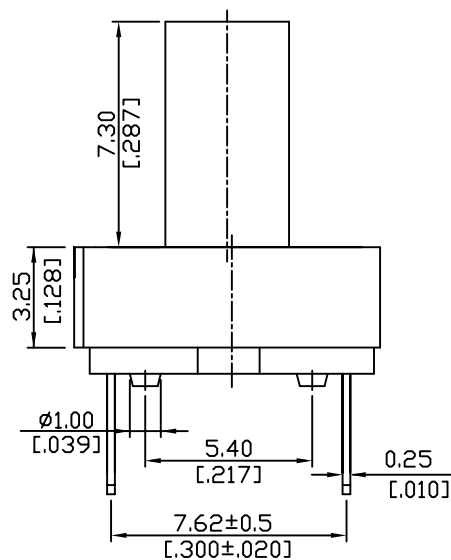
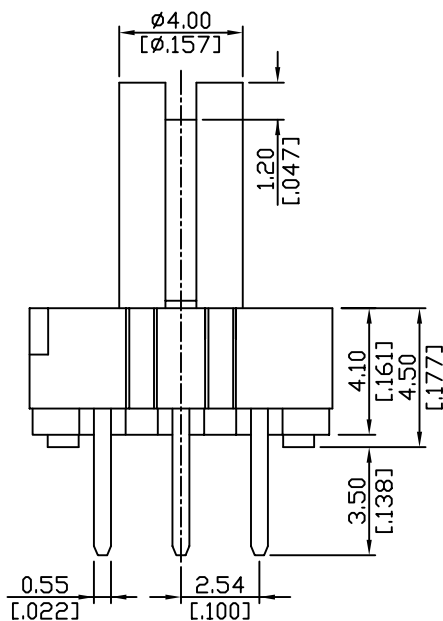


- NOTE:
1. ALL DIMENSIONS ARE IN MILLIMETERS , BRACKETED DIMENSION ARE IN INCHS.
  2. GENERAL TOLERANCE: ±0.2 mm

Available Mode No.
RTSW-D118-10
RTSW-D118-16
RTSW-D118-16C



RTSW-D118-16C



TYPE	POSITION	CODE			
		1	2	4	8
10	0 F	●	●	●	●
	1 E	○	○	●	●
	2 D	●	○	●	●
	3 C	○	○	●	●
	4 B	●	●	○	●
	5 A	○	○	○	●
	6 9	●	○	○	●
	7 8	○	○	○	●
	8 7	●	●	●	○
	9 6	○	○	●	○
16 .C	A 5	○	○	○	○
	B 4	○	○	●	○
	C 3	●	●	○	○
	D 2	○	●	○	○
	E 1	●	○	○	○
	F 0	○	○	○	○

CIRCUIT CHART

RoHS Compliant

TOLERANCES ARE

**MORETHANALL**  
PCB CONNECTORS  
Cable ASSEMBLIES

煜倫股份有限公司

www.morethanall.com

DRAWING BY CY

CHECKED BY GENIUS

UNIT / mm SCALE 1 : 1

DATE

SIZE A4

X.±  
.X±  
.XX±  
.XXX±  
ANG ±

P PROJECTION

照片框

ORDER INFORMATION

RTSW-D118-xx-LF

SERIES | LEADFREE  
10~16C  
HIGH 11.8mm  
DIP 180°

DESCRIPTION: