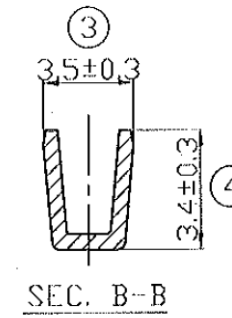
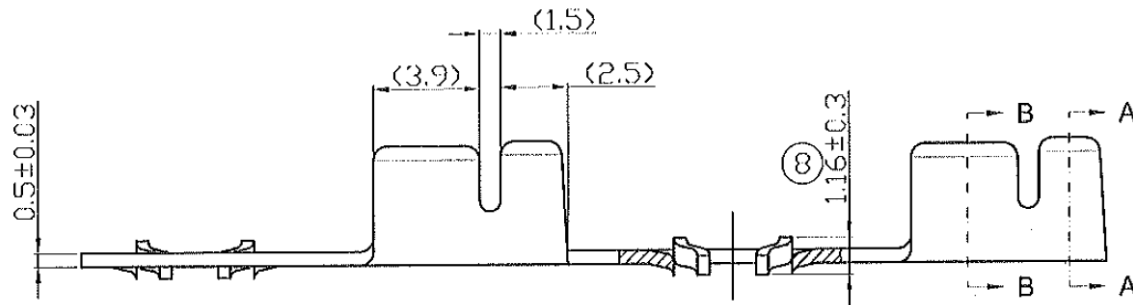


NOTES:

I. 包裝數量：7000 PCS/R

I. PACKING Q'TY: 7000 PCS/R



RTS-44T85-16	21.0	0.5~1.3	20~16	黃銅 BRASS	鍍錫 TIN PLATING
PART NO. 編號	PITCH 間距	MM 線徑	AWG WIRE SIZE	MATERIAL 材質	FINISH 表面處理

RoHS Compliant

TOLERANCES ARE

MORETHANALL
PCB CONNECTORS
Cable ASSEMBLIES

DRAWING BY CY

CHECKED BY GENIUS

UNIT / mm SCALE 1:1

DATE

SIZE A4

X ±
X ± 0.25
.XX ± 0.15
.XXX ± 0.10
ANG ±

P PROJECTION

照片框

ORDER INFORMATION

RTS-44T85-16-LF
SERIES | | | LEADFREE
| | | 16-20 AWG
| | | OUTER DIAMETER 8.5Ø
| | | TIN
| | | INSIDE DIAMETER 4.4Ø

煜倫股份有限公司

www.morethanall.com

DESCRIPTION: