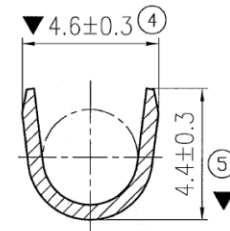
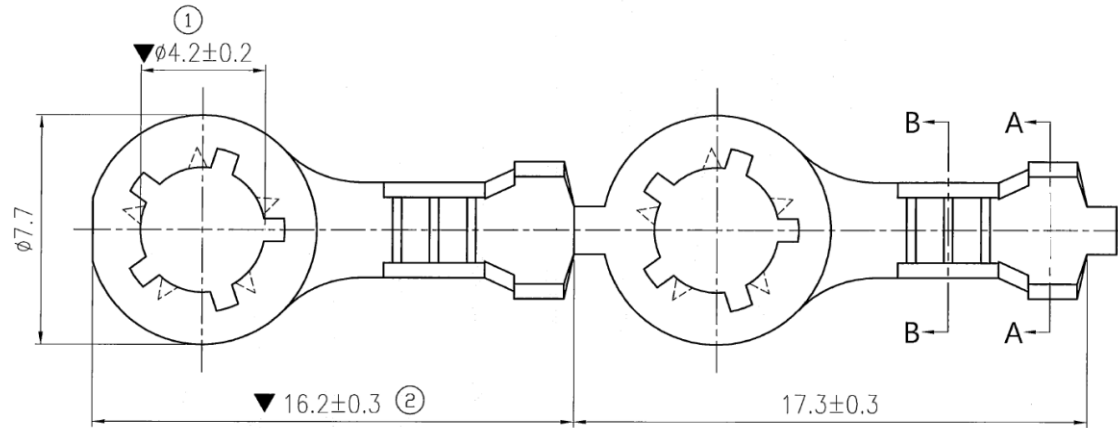


PART NO. 編號	SPEC. 規格	PITCH 間距	MM <sup>2</sup> 線徑	AWG WIRE SIZE	MATERIAL 材質	FINISH 表面處理	PACKING Q'TY 包裝數量	REMARK 備註
RTS-44T77-16	BS0	17.3	0.5~1.25	20~16	黃銅 BRASS	素材 NONE	8000	
	BS2					MATTE TIN PLATING		

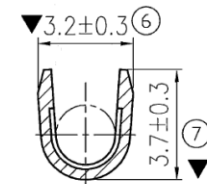
**NOTES:**

1.表面處理：鍍霧錫 60u" 以上

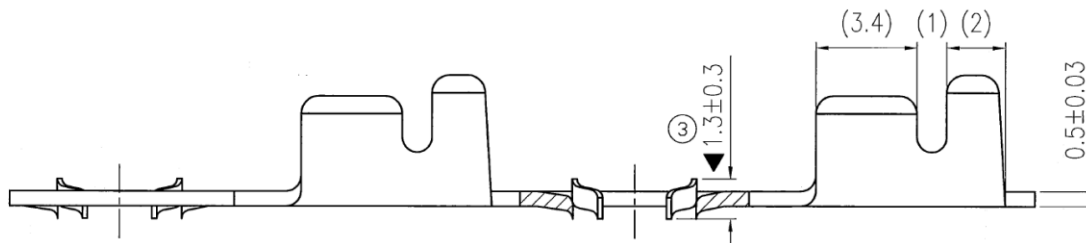
1.Finish : Matte tin plating 60u" min.



SECTION : A-A



SECTION : B-B



**RoHS Compliant**

TOLERANCES ARE

**MORETHANALL**  
PCB CONNECTORS  
Cable ASSEMBLIES

DRAWING BY CY

CHECKED BY GENIUS

UNIT / mm SCALE 1 : 1

DATE

SIZE A4

X, ±  
.X ± 0.30  
.XX ± 0.25  
.XXX ± 0.20  
ANG ± 3°

照片框

PPOJECTION

**ORDER INFORMATION**

RTS-44T77-16-LF  
SERIES | | | LEADFREE  
| | | 16-20 AWG  
| | | OUTER DIAMETER 7.7Ø  
| | | TIN  
| | | INSIDE DIAMETER 4.4Ø

DESCRIPTION:

煜倫股份有限公司

www.morethanall.com