

MATERIAL

INSULATION: VINYL
 MATERIAL: COPPER
 TIN PLATING

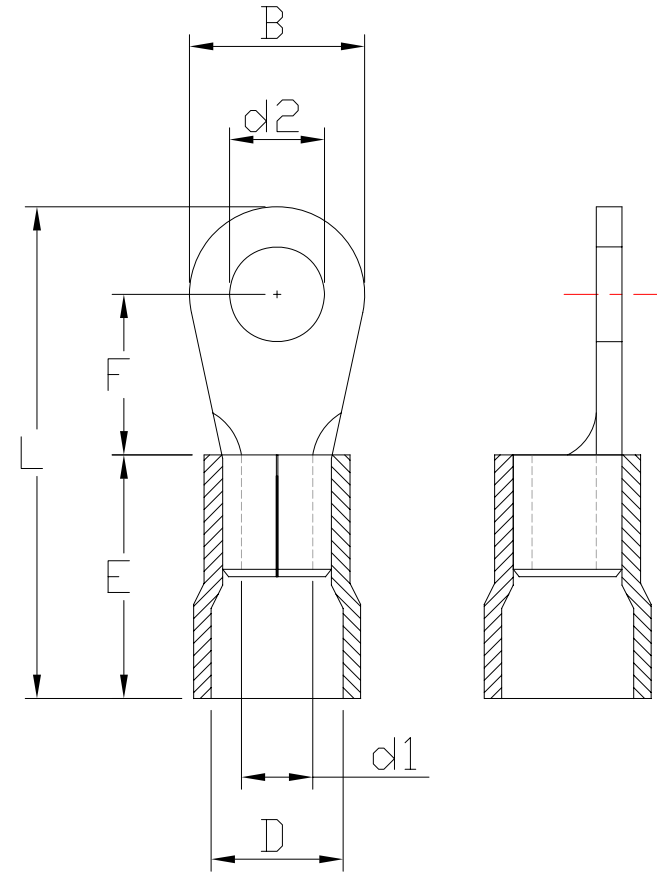
MAXIMUM ELECTRIC CURRENT

A. W. G	8
MAX AMP	70

NOTE:

1. MAXIMUM ELECTRICAL RATING: 105 °C 600 VOLTS
2. BRAZED SEAM
3. WIRE RANGE: 8 AWG / 8 mm²
 3. INSULATED COLOR: RED
4. MATERIAL THICKNESS: t
 TOLERANCE: ±0.05

WIRE RANGE AWG/mm ²	產品編號 ITEM NO.	d2 ±0.40	B ±0.40	F ±0.80	L ±1.50	E ±0.80	D ±0.50	d1 ±0.80	t
8 AWG 8 mm ²	RT-V3708-08	3.7	8.8	9.7	31.0	17.0	8.0	4.5	1.2
	RT-V4308-08	4.3	8.8	9.7	31.0				
	RT-V4312-08	4.3	12.0	9.7	32.5				
	RT-V5308-08	5.3	8.8	9.7	31.0				
	RT-V5312-08	5.3	12.0	9.7	32.5				
	RT-V5315-08	5.3	15.0	13.8	38.0				
	RT-V6512-08	6.5	12.0	9.7	32.5				
	RT-V6515-08	6.5	15.0	13.8	38.0				
	RT-V8415-08	8.4	15.0	13.8	38.0				
	RT-V1015-08	10.5	15.0	13.8	38.0				
	RT-V1320-08	13.0	20.0	15.0	42.0				
	RT-V1531-08	15.0	31.6	25.6	58.0				
	RT-V1731-08	17.0	31.6	25.6	58.0				
	RT-V1931-08	19.0	31.6	25.6	58.0				
RT-V2131-08	21.0	31.6	25.6	58.0					



RoHS Compliant

TOLERANCES ARE

MORETHANALL
 PCB CONNECTORS
 Cable ASSEMBLIES

DRAWING BY CY

X. ±

CHECKED BY GENIUS

.X ±

UNIT / mm

SCALE 1:1

.XX ±

DATE

.XXX ±

ANG ±

SIZE A4

PPOJECTION

照片框

ORDER INFORMATION

RT-Vxxyy-08-LF
 SERIES | B | T LEADFREE
 | 08 AWG
 | 08:8.8mm
 VINYL d2
 | 37:3.7mm

DESCRIPTION:

煜倫股份有限公司

www.morethanall.com