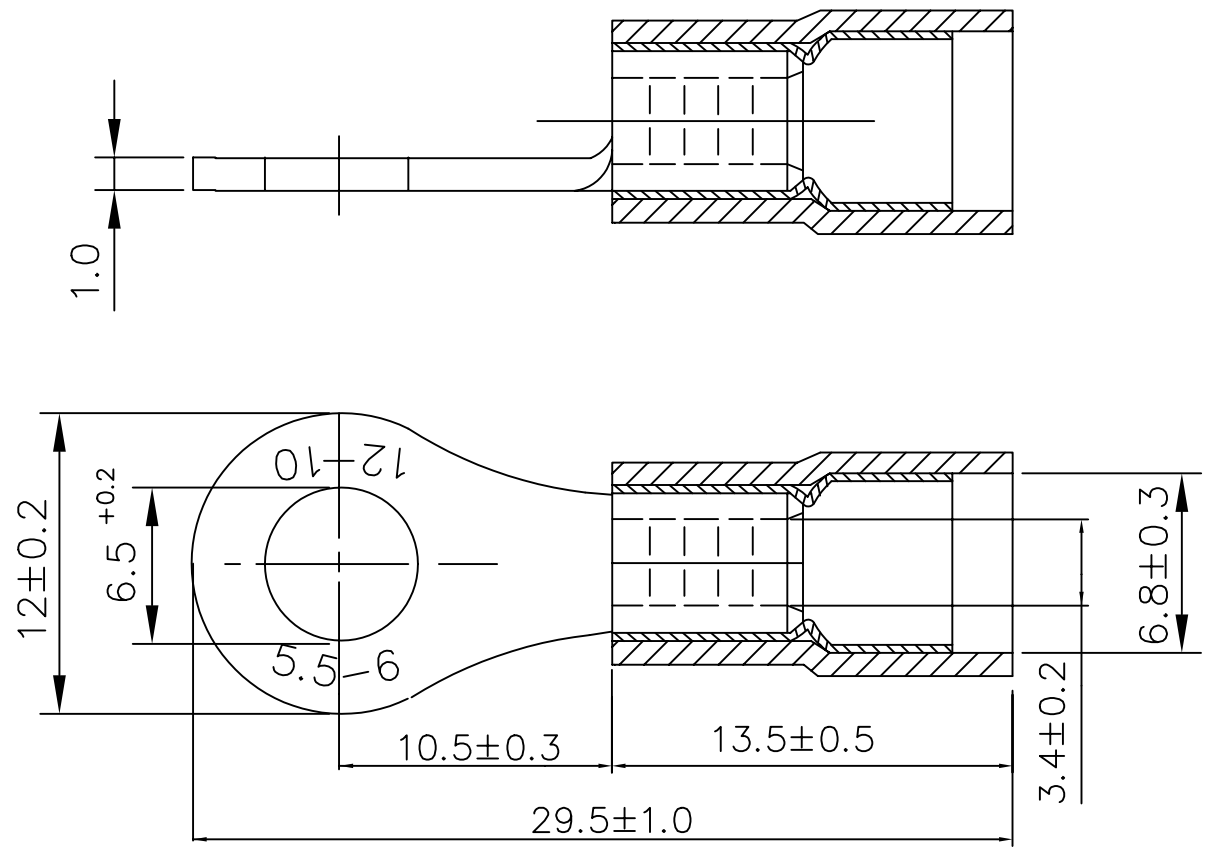


1 2 3 4 5 6 7 8 9 0

J  
I  
H  
G  
F  
E  
D  
C  
B  
A



|                                    |                                    |
|------------------------------------|------------------------------------|
| 規格<br>WIRE RANGE                   | 12-10 A.W.G ( 4-6mm <sup>2</sup> ) |
| 溫度與電壓<br>MAXIMUM ELECTRICAL RATING | 75°C 600 VOLTS MAX.                |
| 電流<br>MAXIMUM ELECTRICAL CURRENT   | 48 AMPERE                          |
| 端子材質<br>TERMINA MATERIAL           | COPPER                             |
| 金屬厚度<br>THICKNESS                  |                                    |
| 顏色<br>COLOR                        | YELLOW                             |

**MORETHANALL**  
CONNECTORS  
ASSEMBLIES

**煜倫有限公司**

PART NO. RT-VD65-10

DWG NO. RT-VD65-10

FILE NO.

UNIT / mm      SCALE 1:1

CHECKED BY CY

DRAWING BY

PROJECTION

TOLERANCES ARE

.X ±

.XX ±

.XXX ±

AWG

|               |           |    |      |  |
|---------------|-----------|----|------|--|
| DESCRIP TION: |           |    |      |  |
| AREA          | REVISIONS | HK | DATE |  |