

MATERIAL

INSULATION : NON
 MATERIAL : COPPER
 TIN PLATING

MAXIMUM ELECTRIC CURRENT

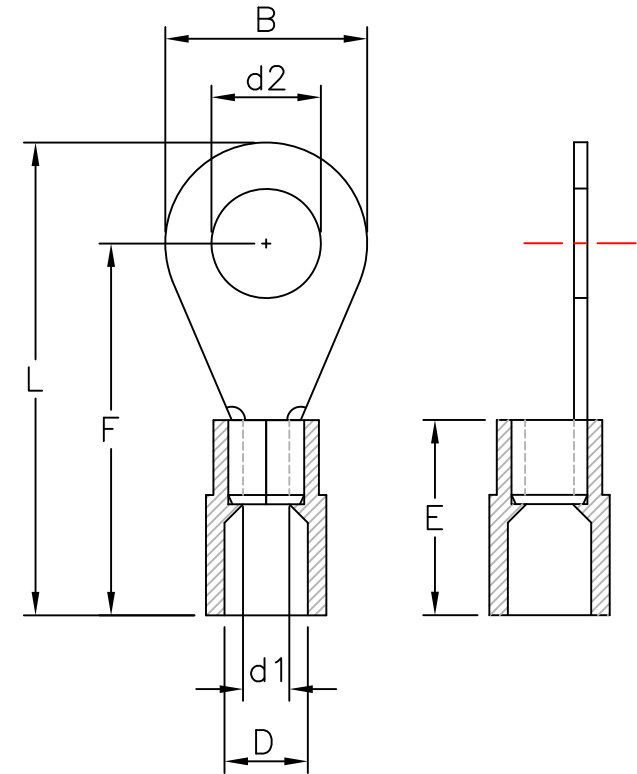
A. W. G	26	24	22
MAX AMP	5.5	7	9

NOTE:

1. MAXIMUM ELECTRICAL RATING: 105°C 600 VOLTS
2. BRAZED SEAM
3. WIRE RANGE: 26-22 AWG / 0.1-0.5 mm²
INSULATED COLOR: YELLOW
4. MATERIAL THICKNESS: t
TOLERANCE: ±0.05

B		
OVER	TO	TOLERANCE
0	3	+0.00 -0.14
3	6	+0.00 -0.18
6	10	+0.00 -0.22
10	18	+0.00 -0.27
18	30	+0.00 -0.33
30	50	+0.00 -0.39

WIRE RANGE AWG/mm ²	產品編號 ITEM NO.	d2 ±0.20	B	F ±1.00	L ±1.00	E ±0.60	D ±0.50	d1 ±0.30	t
26-22 AWG 0.1-0.5 mm ²	RT-N22-22	2.2	5.0	14.0	16.5	8.0	2.4	1.0	0.5
	RT-N27-22	2.7	5.0	14.0	16.5				
	RT-N32-22	3.2	5.0	14.0	16.5				
	RT-N37-22	3.7	6.0	16.0	19.0				
	RT-N43-22	4.3	6.5	16.0	19.2				
	RT-N53-22	5.3	8.0	16.0	20.0				



RoHS Compliant

TOLERANCES ARE

MORETHANALL
 PCB CONNECTORS
 Cable ASSEMBLIES

DRAWING BY CY

CHECKED BY GENIUS

UNIT / mm

SCALE 1:1

DATE

SIZE A4

X. ±
 .X ±
 .XX ±
 .XXX ±
 ANG ±

P PROJECTION

照片框

ORDER INFORMATION

RT-Nxx-22-LF
 SERIES | T | LEADFREE
 22-26 AWG
 22:2.2 d2
 53:5.3 d2
 NYLON

DESCRIPTION:

煜倫股份有限公司

www.morethanall.com