

产品说明 Product Description:

1.外观 Appearance:

>30CM距离, <5S目视, 无腐蚀、刮伤、氧化  
 No corrosion, scratches, oxidation on surface  
 Inspection condition:

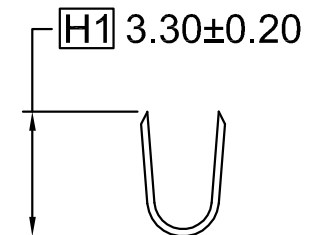
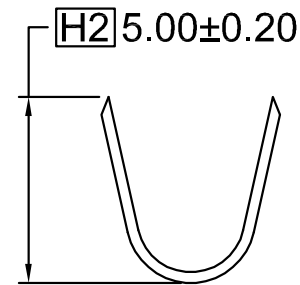
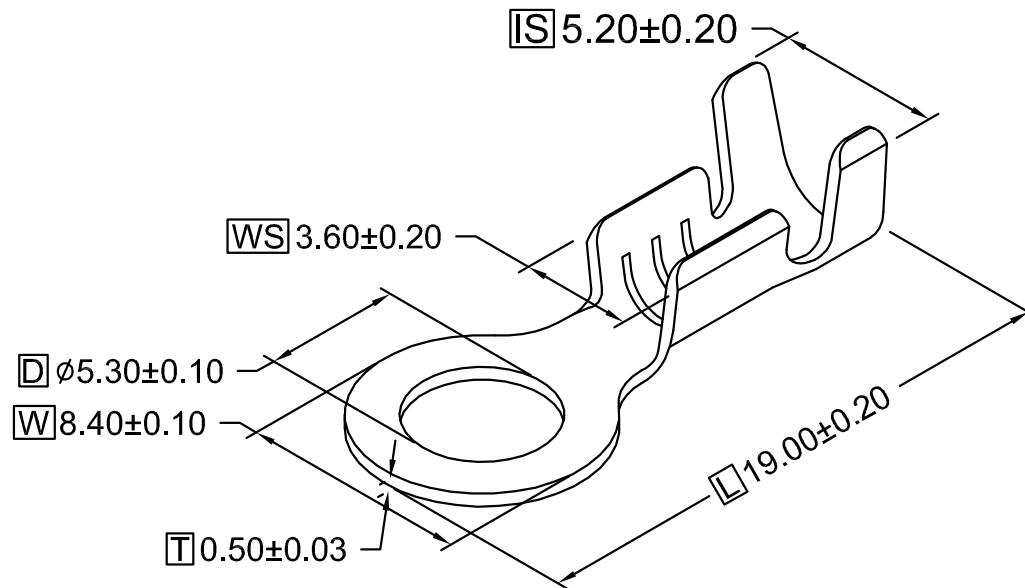
Inspect from >30cm away and for <5 seconds

2.环保: 符合ROHS&REACH

RoHS&REACH compliance: Yes

包装数量 Packing Q' TY 5000Pcs/Reel

电线导体规格 Conductor 16~20AWG



RoHS Compliant

TOLERANCES ARE

**MORETHANALL**  
 PCB CONNECTORS  
 Cable ASSEMBLIES

煜倫股份有限公司

www.morethanall.com

DRAWING BY CY

CHECKED BY GENIUS

UNIT / mm SCALE 1:1

DATE

SIZE A4

X, ±  
 .X ± 0.20  
 .XX ± 0.10  
 .XXX ± 0.05  
 ANG ±

PPOJECTION

照片框

ORDER INFORMATION

RT-53T84-16-LF  
 SERIES | LEADFREE  
 | 16-20 AWG  
 | OUTER DIAMETER 8.4Ø  
 | TIN  
 | INSIDE DIAMETER 5.3Ø

DESCRIPTION: