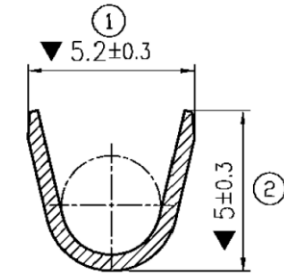
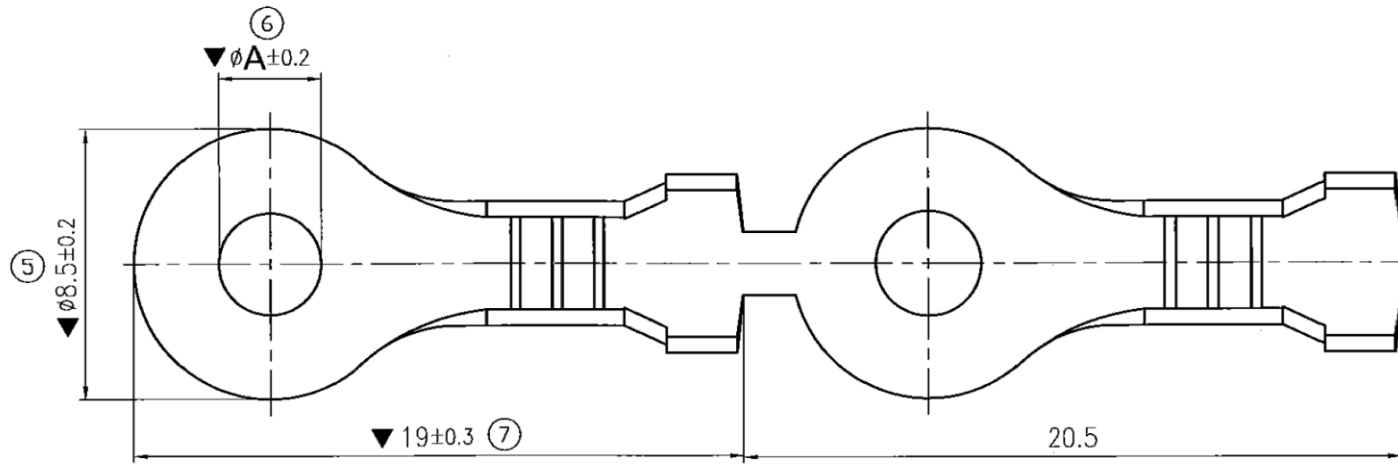
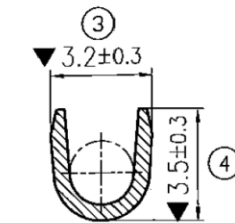
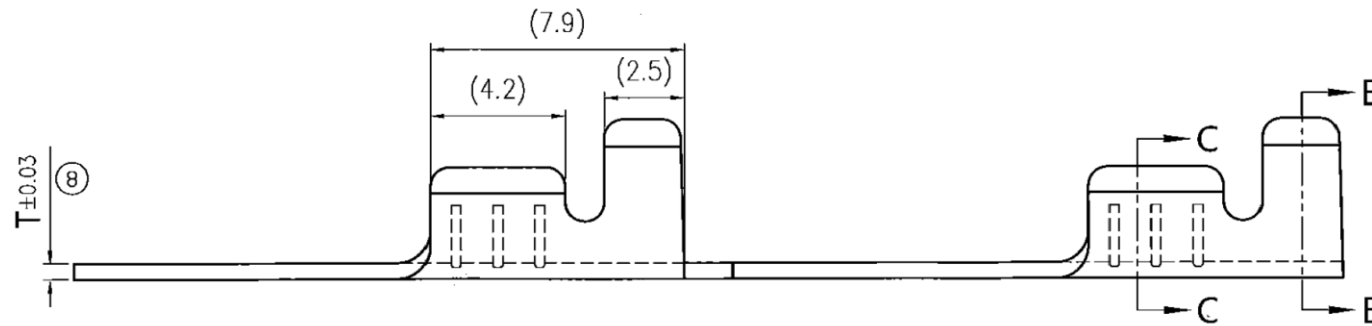


1. 包裝數量：7000 Pcs/R

1. Packing Q'Ty : 7000 Pcs/R



SECTION : B-B



SECTION : C-C

PART NO. 編號	SPEC 規格	PITCH 間距	MM <sup>2</sup> 線徑	AWG WIRE SIZE	MATERIAL 材質	FINISH 表面處理	ØA	T	REMARK 備註
RT-44T85-14	BS2	20.5	0.5~2.0	20~14	黃銅 BRASS	鍍錫 TIN PLATING	Ø44	0.5	

RoHS Compliant

TOLERANCES ARE

**MORETHANALL**  
PCB CONNECTORS  
Cable ASSEMBLIES

煜倫股份有限公司

www.morethanall.com

DRAWING BY CY

CHECKED BY GENIUS

UNIT / mm SCALE 1 : 1

DATE

SIZE A4

X, ±  
X ± 0.30  
.XX ± 0.25  
.XXX ± 0.15  
ANG ± 3°

P PROJECTION

照片框

ORDER INFORMATION

RT-44T85-14-LF  
SERIES | LEADFREE  
| 14~20 AWG  
| OUTER DIAMETER 8.5Ø  
| TIN  
| INSIDE DIAMETER 4.4Ø

DESCRIPTION: R型端子 RING TONGUE TERMINAL