

产品说明 Product Description:

1.外观 Appearance:

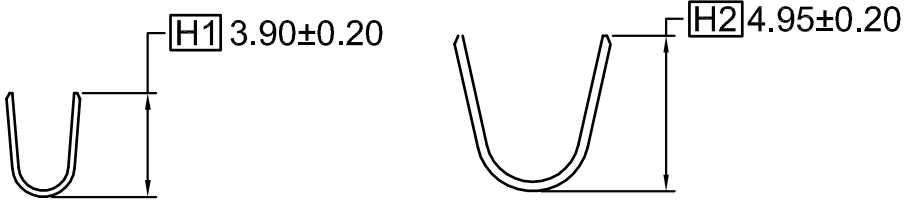
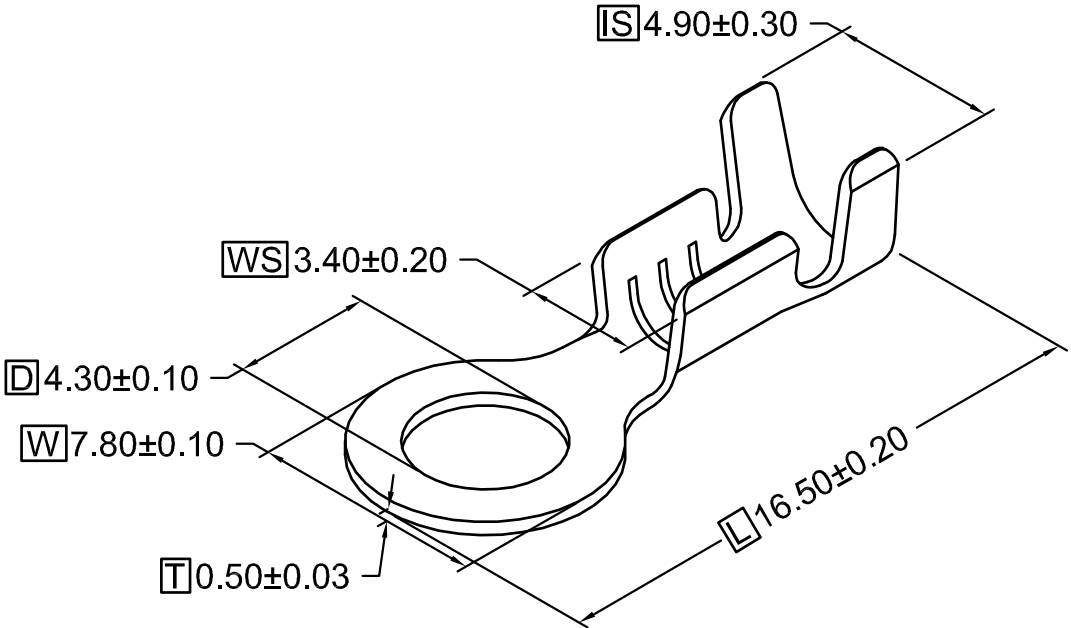
>30CM距离, <5S目视, 无腐蚀、刮伤、氧化
 No corrosion, scratches, oxidation on surface
 Inspection condition:

Inspect from >30cm away and for <5 seconds

2.环保: 符合ROHS&REACH

RoHS&REACH compliance: Yes

电线导体规格 14~18AWG
 Conductor
 包装数量 7500Pcs/Reel
 Packing Q' TY



RoHS Compliant

TOLERANCES ARE



煜倫股份有限公司

www.morethanall.com

DRAWING BY CY

CHECKED BY GENIUS

UNIT / mm

SCALE 1:1

DATE

SIZE A4

PPOJECTION

X. ±
 .X ± 0.20
 .XX ± 0.10
 .XXX ± 0.05
 ANG ±

照片框

ORDER INFORMATION

RT-43T78-14-LF

SERIES | LEADFREE
 | 14~18 AWG
 | OUTER DIAMETER 7.8Ø
 | TIN
 | INSIDE DIAMETER 4.3Ø

DESCRIPTION: