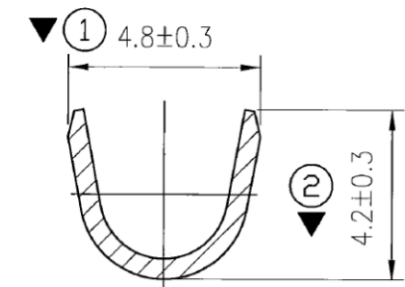
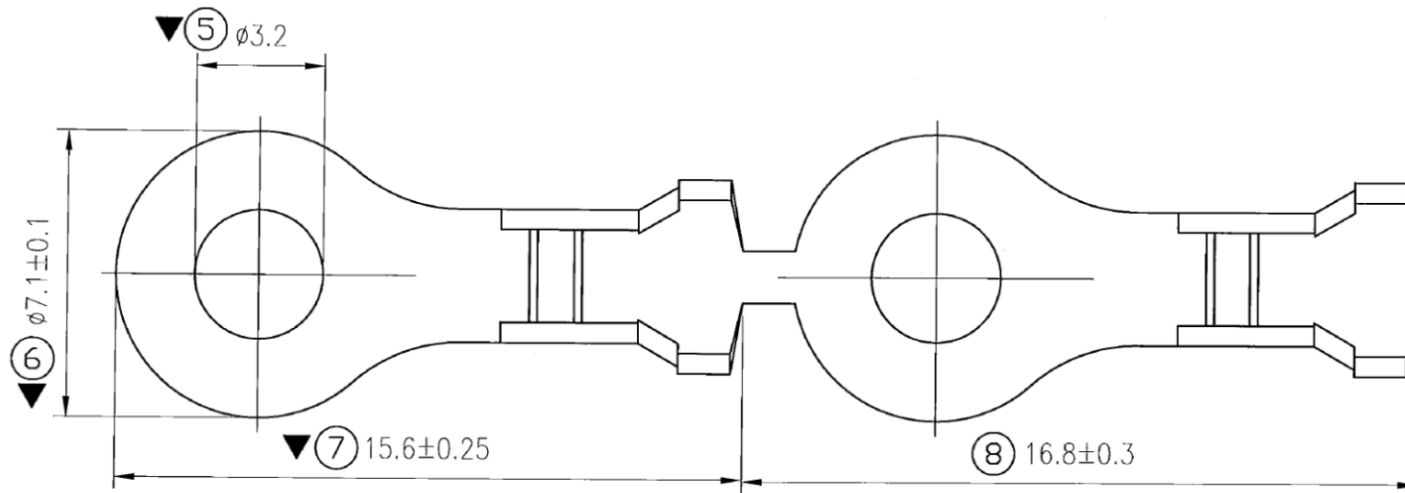
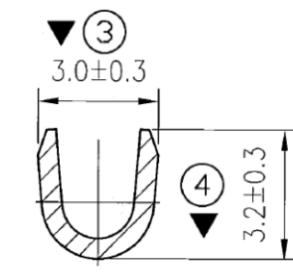
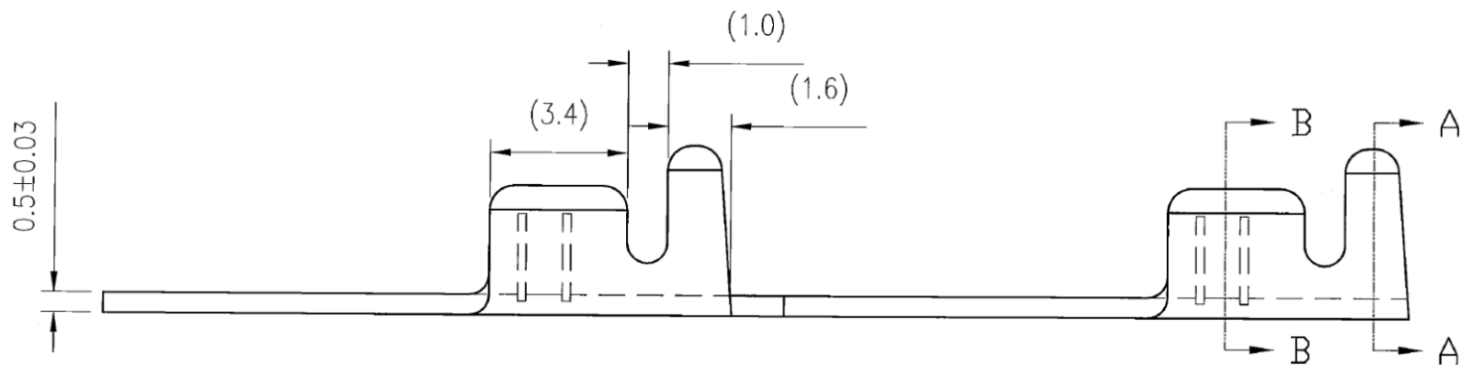


PART NO. 編號	PITCH 間距	MM <sup>2</sup> 線徑	AWG WIRE SIZE	MATERIAL 材質	FINISH 表面處理	PACKING Q'TY 包裝數量	REMARK 備註
RT-32T7-18	16.8	0.3~0.8	22~18	黃銅 BRASS	鍍錫 TIN PLATING	10000 Pcs/捲	



SEC. A-A



SEC. B-B

**MORETHANALL**  
PCB CONNECTORS  
Cable ASSEMBLIES  
煜倫股份有限公司  
www.morethanall.com

<b>RoHS Compliant</b>		TOLERANCES ARE
DRAWING BY CY		X. ±
CHECKED BY GENIUS		.X ± 0.30
UNIT / mm	SCALE 1 : 1	.XX ± 0.25
DATE		.XXX ± 0.15
SIZE A4	P PROJECTION	ANG ±

照片框

ORDER INFORMATION	
RT-32T7-18-LF	
SERIES	LEADFREE
	18-22 AWG
	OUTER DIAMETER 7Ø
	TIN
	INSIDE DIAMETER 3.2Ø
DESCRIPTION: R3.2低腳 RING TONGUE TERMINAL	