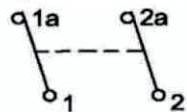
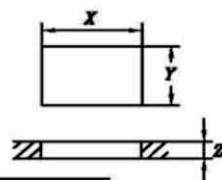


- 1 - All dimensions in mm [Inch]
- 2 - General tolerance : X.X=0.4
X.XX=0.25
- 3 - Electrical rating : 6A 250VAC & 9A 125VAC
- 4 - Contact resistance : <20mΩ(initial)
- 5 - Insulation resistance : > 1000MΩ(500VDC between open contacts)
- 6 - Dielectric strength : >1500V 1 minute
- 7 - Mechanical life : >30000 cycles
- 8 - Electrical life : >10000 cycles
- 9 - Temperature rise at the terminal : Max.30°C
- 10 - Solder ability of terminal : Max350°C,3S(no pressure may be placed in the terminals when soldering by hand)

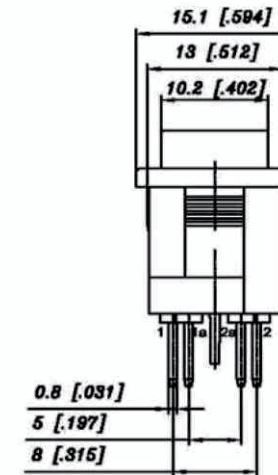
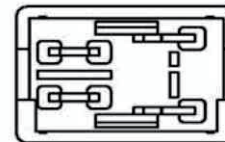
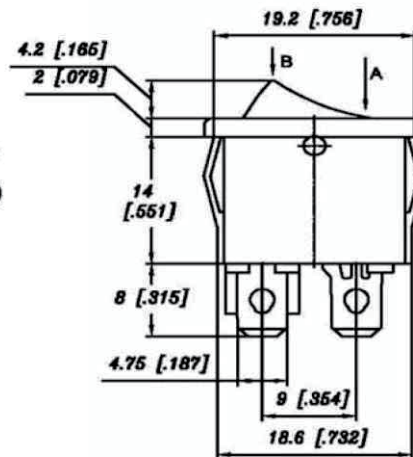
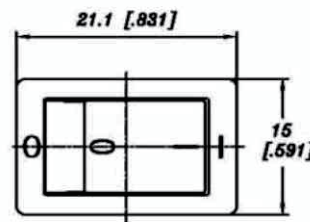


CIRCUIT DPST

POLE FUNCTION	OPTIONS OF FUNCTION		
	A	—	B
DPST	1-1a 2-2a	—	OFF



PANEL OUT-CUT		
Z	Y	X
0.7~1.25 [.028~.049]	12.8~12.9 [.504~.508]	19.2~19.3 [.756~.760]
1.25~2.0 [.049~.079]	12.8~12.9 [.504~.508]	19.3~19.4 [.760~.764]
2.0~3.0 [.079~.118]	12.8~12.9 [.504~.508]	19.5~19.6 [.768~.772]



Color	Housing	Actuator
K(Black)	√	√
W(White)		
R(Red)		
G(Gray)		
O(Orange)		
B(Blue)		
Y(III. Yellow)		
M(III. Green)		
F(III. Blue)		
T(III. White)		
D(III. Red)		

* We keep the right to alter the dimension without notice.

RoHS Compliant

TOLERANCES ARE

MORETHANALL
PCB CONNECTORS
Cable ASSEMBLIES

煜倫股份有限公司

www.morethanall.com

DRAWING BY CY

CHECKED BY GENIUS

UNIT/ mm SCALE 1:1

DATE

SIZE A4

X, ±
.X ±
.XX ±
.XXX ±
ANG ±

PJECTION



ORDER INFORMATION

RSW14-S4PA-04-LF

SERIES | LEADFREE
| 04 WAY
| PANEL FRONT
| SOLDER PIN 4.75mm

DESCRIPTION: