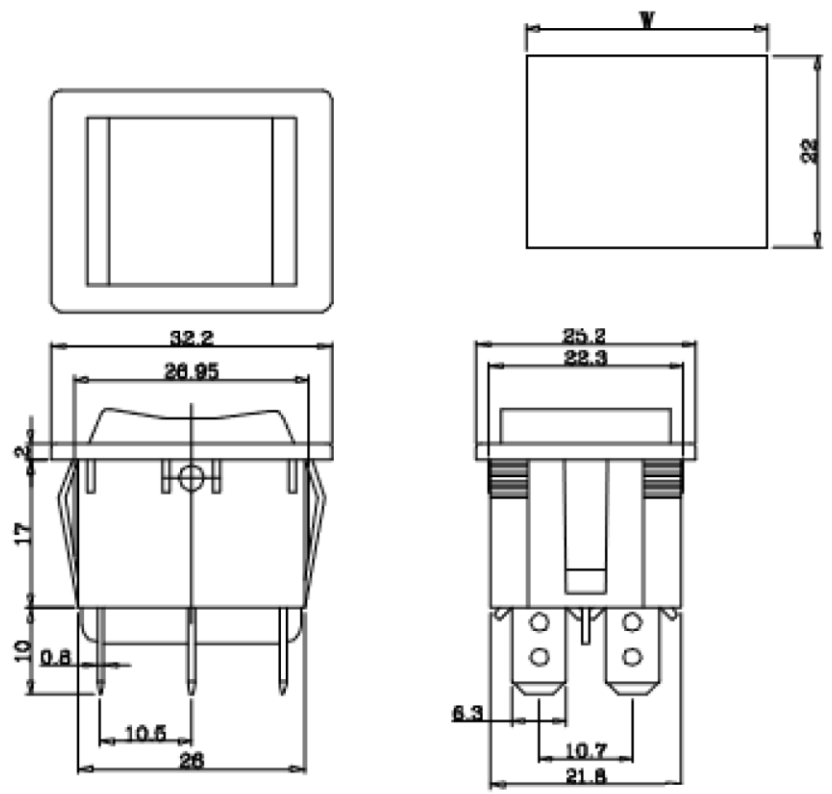


R	W	PANEL THICK	無 A 尺寸	F	W	PANEL THICK
	26.0	0.75-1.25			20.0	0.75-1.25
	26.2	1.25-2.0			20.2	1.25-2.0
	26.5	2.0-2.5		20.5	2.0-2.5	

按鈕 (0)	按鈕 (1)
有隔板	L 帶燈線路圖



規格 SPECIFICATIONS:

- 迴路**
CIRCUIT
 C: ON-OFF-ON ; CL: ON-OFF-ON(ILLUMINATED)
 G: (ON)-OFF-(ON) ; GL: (ON)-OFF-(ON)(ILLUMINATED)
 H: ON-OFF-(ON) ; HL: ON-OFF-(ON)(ILLUMINATED)
- 定格**
RATING
 10A 125VAC/250VAC
 16A 250VAC
- 接觸電阻**
CONTACT RESISTANCE
 30mΩ Max .
- 絕緣電阻**
INSULATION RESISTANCE
 DC 500V 100MΩ Min .
- 耐電壓**
WITHSTAND VOLTAGE
 AC 2000V 1 Minute .
- 作動力**
OPERATION FORCE
 800±300 g .
- 電氣壽命**
ELECTRICAL LIFE
 10,000 Cycles At Full Load .
- 使用溫度範圍**
OPERATING TEMPERATURE RANGE
 -25°C~+85°C .
- 焊接**
SOLDERING
 280°C FOR 3 Sec .

RoHS Compliant

TOLERANCES ARE

MORETHANALL
 PCB CONNECTORS
 Cable ASSEMBLIES

DRAWING BY CY
 CHECKED BY GENIUS
 UNIT / mm SCALE 1 : 1
 DATE

X, ±
 .X ±
 .XX ±
 .XXX ±
 ANG ±

煜倫股份有限公司

www.morethanall.com

SIZE A4 PROJECTION

照片框

ORDER INFORMATION

RSW-Q6-06-LF
 SERIES | LEADFREE
 06 WAY
 TAB 6.3mm

DESCRIPTION: