

RoHS Compliant

TOLERANCES ARE

MORETHANALL
PCB CONNECTORS
Cable ASSEMBLIES
煜倫股份有限公司
www.morethanall.com

DRAWING BY CY
CHECKED BY GENIUS
UNIT / mm SCALE 1 : 1
DATE
SIZE A4 PPROJECTION

X, \pm
X \pm 0.25
.XX \pm 0.12
.XXX \pm 0.08
ANG \pm 3°

照片框

ORDER INFORMATION

RST50-PRBx7-xx0yy-LF

SERIES | | | | | LEADFREE KEY LOCK TYPE
MALE | | | | | 02~12WAY
DIP 90° | | | | | 7.85
REVERSE R:R TYPE L:L TYPE
B:B TYPE

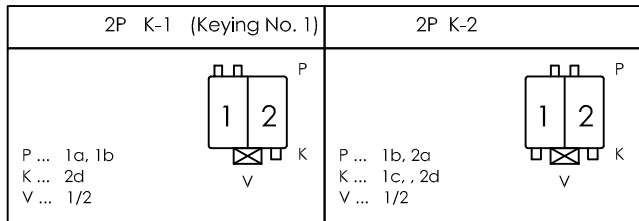
DESCRIPTION: RAST 5.0mm PITCH RIGHT-ANGLE HEADER

C

2

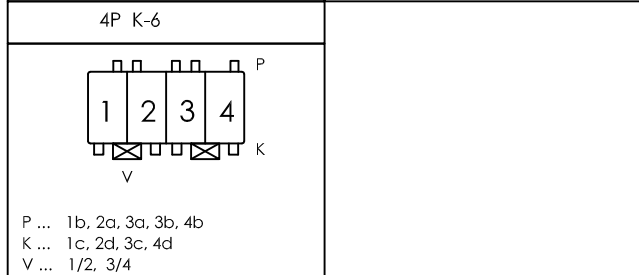
2 PORTS

Keying Specification



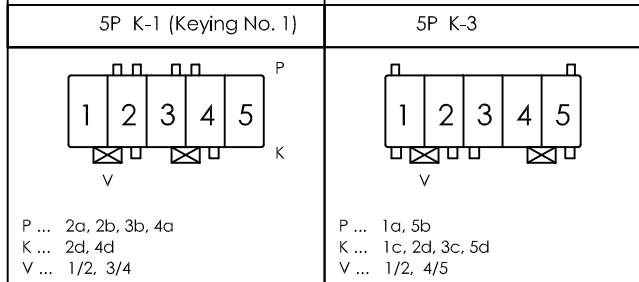
4

4 位數



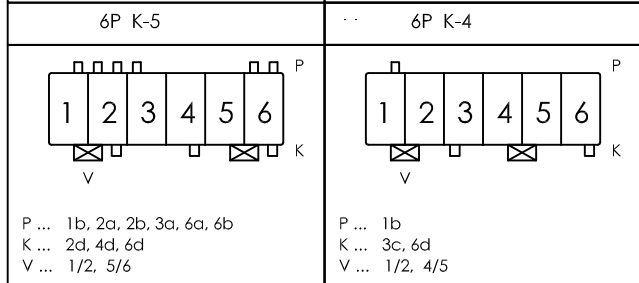
5

5 位數



6

6 位數



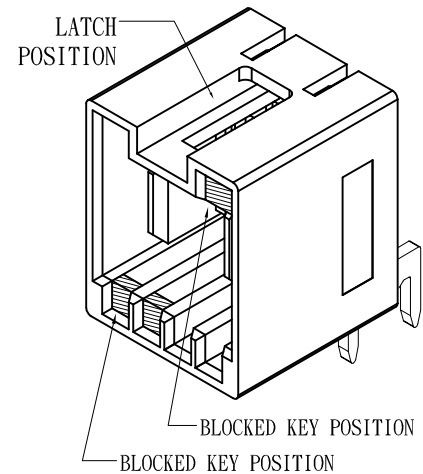
NOTE: PLEASE REFER TO SPECIFICATION OF FOR ALL APPLICABLE KEYING.

NOTES:

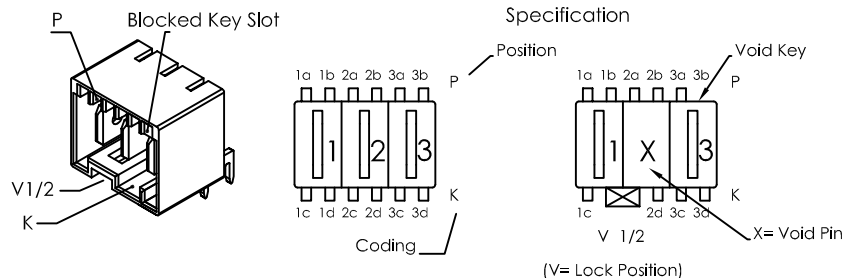
- MATERIAL:
BASE: GLASS-FILLED NYLON 66 94V-0
PIN: BRASS, MATTE TIN-PLATED OR SILVER-PLATED.

DIMENSIONS: C

CIRCUITS	DIM. A	DIM. B
2	---	12.2
3	10.00	17.2
4	15.00	22.2
5	20.00	27.2
6	25.00	32.2
7	30.00	37.2
8	35.00	42.2
9	40.00	47.2
10	45.00	52.2
11	50.00	57.2
12	55.00	62.2



ISOMETRIC VIEW



RoHS Compliant

TOLERANCES ARE

MORETHANALL
PCB CONNECTORS
Cable ASSEMBLIES

DRAWING BY CY

CHECKED BY GENIUS

UNIT / mm

SCALE 1 : 1

DATE

SIZE A4

PPOJECTION

X, ±
.X ± 0.25
.XX ± 0.12
.XXX ± 0.08
ANG ± 3°

照片框

ORDER INFORMATION

RST50-PRBx7-xx0yy-LF

SERIES | | | | | LEADFREE
KEY LOCK TYPE
02~12WAY
MALE | | | | | 7.85
DIP 90° | | | | | L:L TYPE
REVERSE | | | | | R:R TYPE
B:B TYPE

DESCRIPTION: RAST 5.0mm PITCH RIGHT-ANGLE HEADER

煜倫股份有限公司

www.morethanall.com