

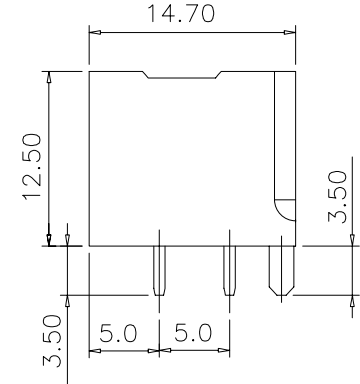
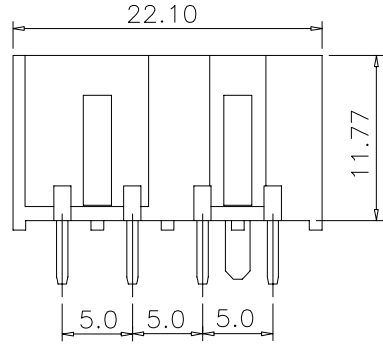
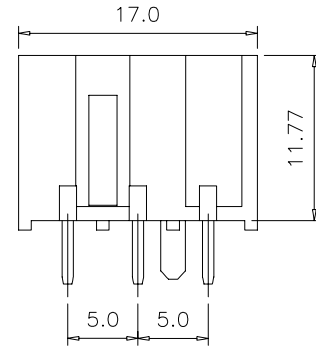
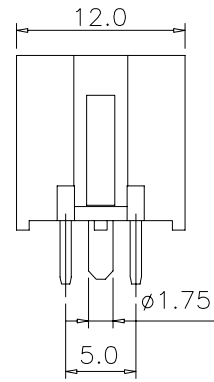
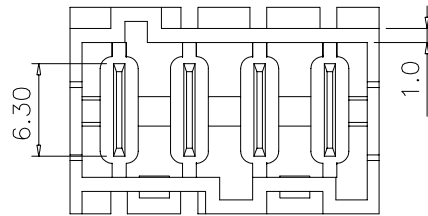
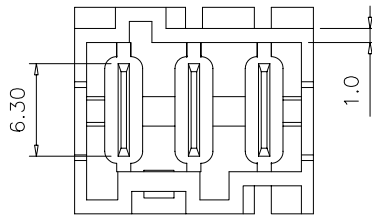
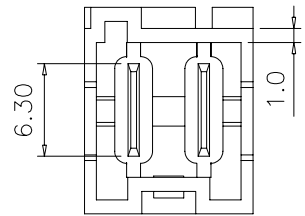
Material: P B T +30%GF
 Finish: Brass Tin/Plated
SPECIFICATIONS
 Current Rating: 3A
 Voltage Rating: 500V AC
 Contact Resistance: 20mΩ Max.
 Insulation Resistance: 500V DC 1000MΩ Min.
 Withstand Voltage: 1500V AC 1 Min.
 Temperature Range: -25°C ~ 105°C

RST50-PDB-02KM

RST50-PDB-03KA

RST50-PDB-04KA

RST50-PDB-xxKx-LF
 LEADFREE
 RoHS Compliant



煜倫股份有限公司

PART NO. RST50-PDB-xxKx		CHECKED BY CY		TOLERANCES ARE .X±0.2 .XX± .XXX± AWG	DESCRIP TION: POWER CONNECTOR	AREA	REVISIONS	HK	DATE
DWG NO. RST50-PDB-xxKx		DRAWING BY							
FILE NO.		PROJECTION							
UNIT / mm	SCALE 1:1								