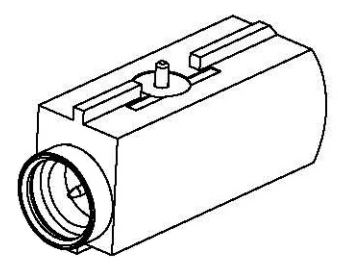
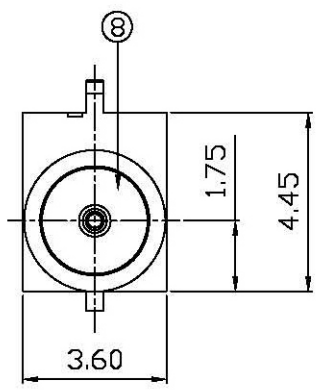
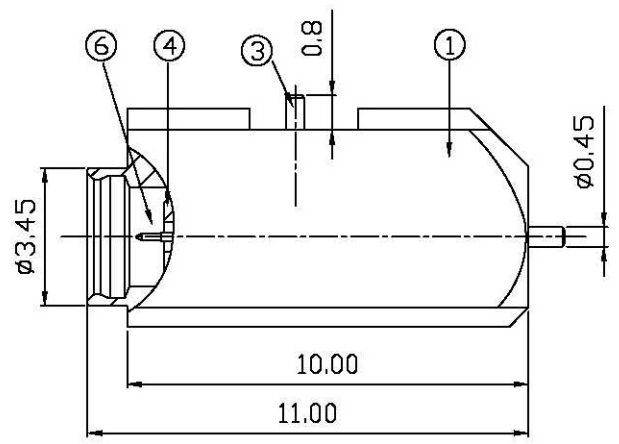
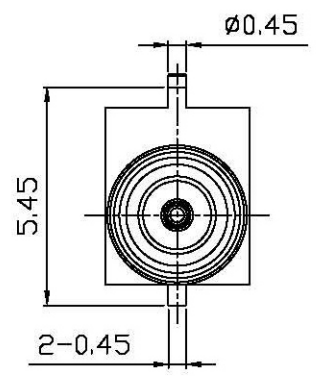


RPMMCX-JWSW-50-LF
LEADFREE
RoHS Compliant



Scale: 4:1

10	TRAY	1/100	SEE PART'S DWG.	SEE PART'S DWG.
9	COVER	1/100	SEE PART'S DWG.	SEE PART'S DWG.
8	INSULATOR	1	TEFLON	NONE
7	SPRING	1	STAINLESS STEEL	NONE
6	CONTACT	1	BRASS	GOLD PLATED
5	SLEEVE	1	BRASS	GOLD PLATED
4	INSULATOR	1	TEFLON	NONE
3	CONTACT	1	BRASS	GOLD PLATED
2	INSULATOR	1	TEFLON	NONE
1	BODY	1	BRASS	GOLD PLATED
NO.	DESCRIPTION	QTY	MATERIAL	FINISH

MORETHANALL
CONNECTORS
ASSEMBLIES

PART NO. RPMMCX-JWSW-50

DWG NO. RPMMCX-JWSW-50

CHECKED BY CY

TOLERANCES ARE

FILE NO.

DRAWING BY

.X ± 0.2
.XX ±
.XXX ±
AWG

DESCRIPTION:

焯倫股份有限公司

UNIT / mm

SCALE 1:1

PROJECTION

AREA	REVISIONS	HK	DATE