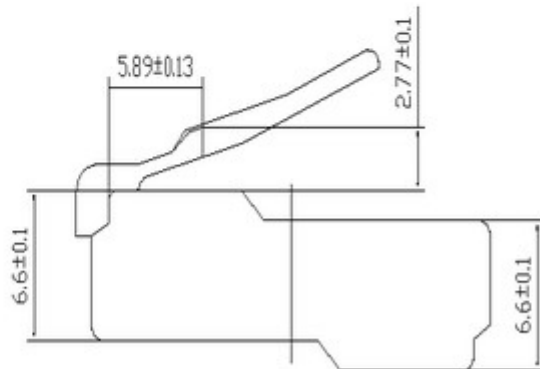
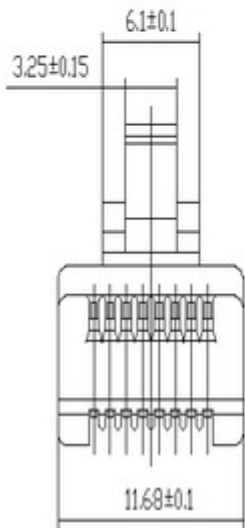
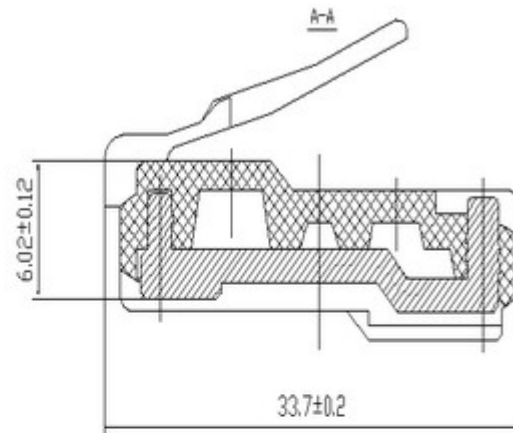
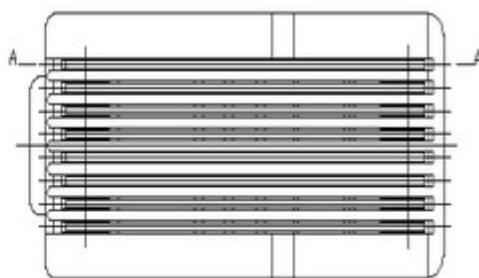


1 2 3 4 5 6 7 8 9 0

J  
I  
H  
G  
F  
E  
D  
C  
B  
A



RJX2-MS-0808-LF  
LEADFREE  
RoHS Compliant

**M**ORETHANALL  
CONNECTORS  
ASSEMBLIES

PART NO. RJX2-MS-0808

DWG NO. RJX2-MS-0808

FILE NO.

CHECKED BY CY

DRAWING BY

TOLERANCES ARE

- X. ±
- .X ±
- .XX ±
- .XXX ±
- ANG

DESCRIPTION:			
AREA	REVISIONS	DATE	

焯倫股份有限公司

UNIT / mm

SCALE 1:1

PROJECTION