

Materials:

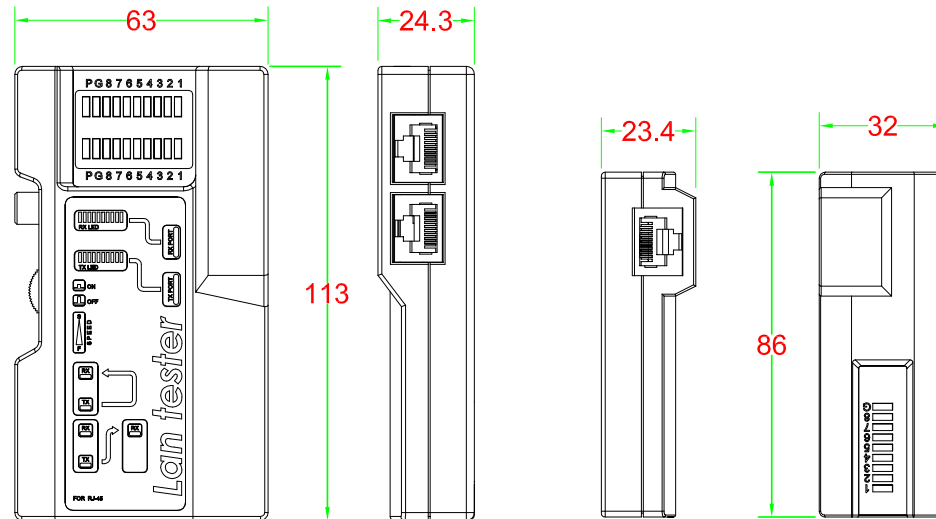
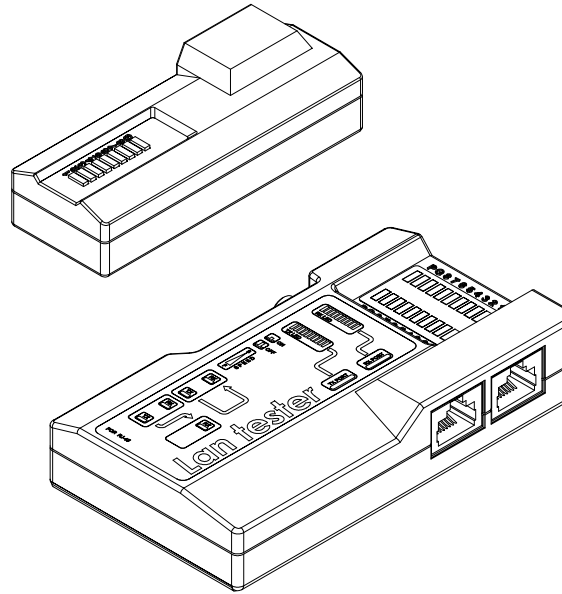
- Plastic Body : Fireproof ABS UL-94V0
- RJ-45 Jack : 8P8C 6 micro inches gold plated
- PCB : FR-4 / UL-94V0
- leather bag : PVC

Electrical Specifications:

- Insulation Resistance : 500M ohms (min.)
- Contact Resistance : 20m ohms (max.)
- Current Rating : 1.5 Amps .
- DC Resistance : 0.1 ohm (max.)
- Withstanding Voltage : 1000 VAC RMS @ 60Hz / 1 min.

Mechanical Specifications:

- RJ-45 Jack Insertion Cycle : Over 2000 Cycles (min.)
- Operation Temperature : -40 °C ~ +70 °C

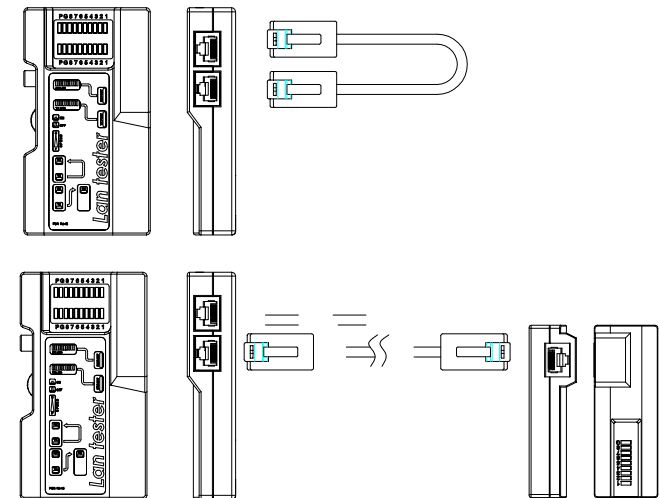


CABLE TESTER

- Test RJ-45 (8P8C) UTP,STP Cable
- Two-piece design within one retail box
- Master unit provides patch cord function test
- Maximum testing length up to 1000 ft
- Power : DC-9V Battery

Notice : NOT for ALIVE CIRCUITS

Operation :



RoHS Compliant

TOLERANCES ARE



煜倫股份有限公司

www.morethanall.com

DRAWING BY CY		X. ± 1.00 .X ± 0.20 .XX ± 0.15
CHECKED BY GENIUS		
UNIT / mm	SCALE 1 : 1	.XXX ± ANG ±
DATE		
SIZE A4	PJECTION	

照片框

ORDER INFORMATION

RJX2-LTC6PX86A1-0808-LF			
SERIES		LEADFREE	
		8P8C	
		LONG 86+113mm	
		NON PANEL	
		CAT.6	
		LAN TESTER	

DESCRIPTION: LAN TESTER