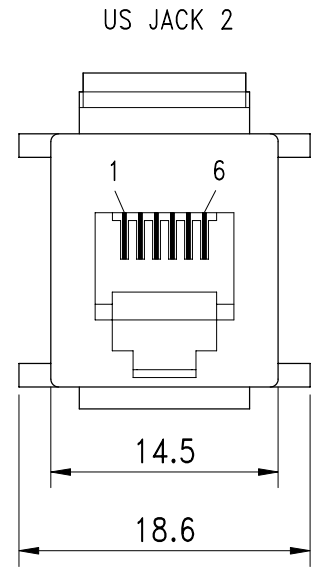
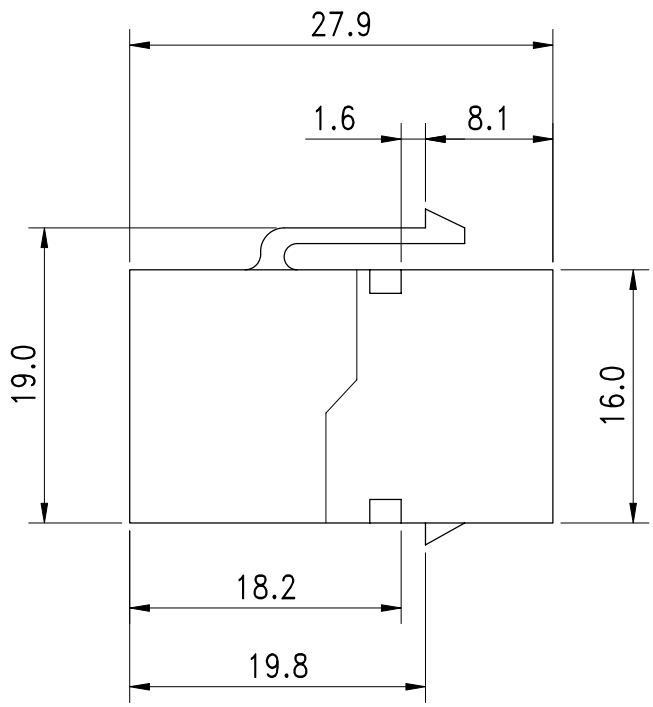


US JACK 1



US JACK 2

US JACK 1	US JACK 2
6P6C	6P6C
1 _____ 1	1 _____ 1
2 _____ 2	2 _____ 2
3 _____ 3	3 _____ 3
4 _____ 4	4 _____ 4
5 _____ 5	5 _____ 5
6 _____ 6	6 _____ 6

RJX2-FSPN-0606-LF
LEADFREE

RoHS Compliant



煜倫股份有限公司

PART NO. RJX2-FSPN-0606		CHECKED BY CY	TOLERANCES ARE .X ± 0.2 .XX ± .XXX ± AWG	DESCRIPTION: MODULAR COUPLER KEYSTONE JACK(210KS 6P6C)			
DWG NO. RJX2-FSPN-0606				DRAWING BY	AREA	REVISIONS	HK
UNIT / mm	SCALE 1:1	PROJECTION					