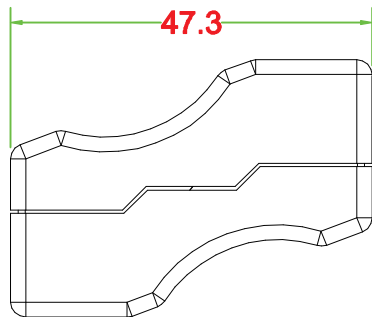
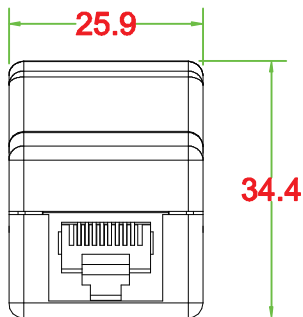
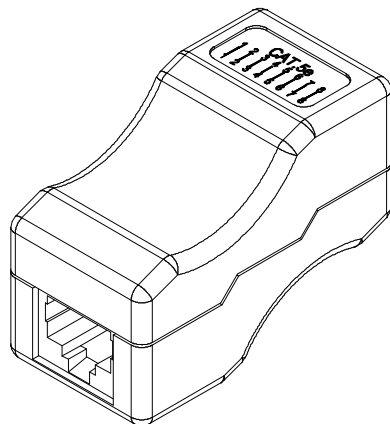
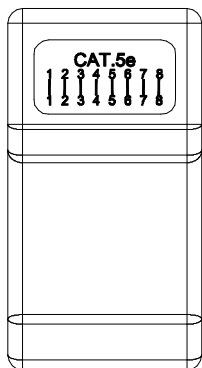


Dimensions:



Performance:

Meets Cat.5e EIA/TIA 568B.1 Standard.

Materials:

Plastic Body : Fireproof ABS UL-94V0
 RJ-45 Jack : 8P8C 50 micro inches gold plated
 PCB : FR-4 / 1.0mm UL-94V0

Electrical Specifications:

Insulation Resistance : 500M ohms (min.)
 Contact Resistance : 20m ohms (max.)
 Current Rating : 1.5 Amps .
 DC Resistance : 0.1 ohm (max.)
 Withstanding Voltage : 1000 VAC RMS @ 60Hz / 1 min.

Mechanical Specifications:

RJ-45 Jack Insertion Cycle : Over 2000 Cycles (min.)

Operation Temperature : -40 ~ +70 degree / C

RJX2-FSCESL47xx-0808-LF
 WH:WHITE LEADFREE
 BK:BLACK

RoHS Compliant



煜倫股份有限公司

PART NO. RJX2-FSCESL47xx-0808		CHECKED BY CY	TOLERANCES ARE .X ± 0.2 .XX ± .XXX ± AWG	DESCRIP TION: Cat.5e INLINE COUPLER (UTP)		
DWG NO. RJX2-FSCESL47xx-0808						
FILE NO.		DRAWING BY	AREA	REVISIONS	HK	DATE
UNIT / mm	SCALE 1:1	PROJECTION				