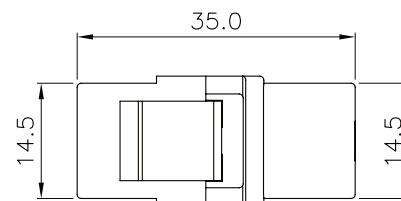
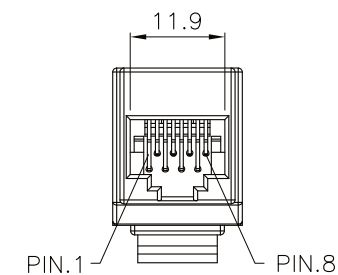
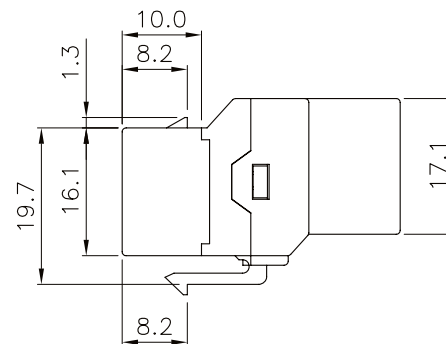
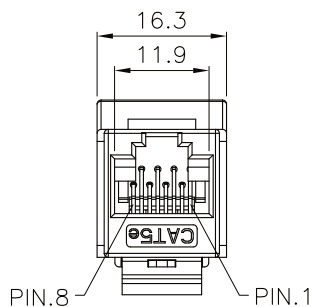


SCALE 1/1



Specification :

Material :

- 1. Plastic Housing : ABS + PC, UL 94V-0.
- 2. Jack Bracket Set : Polycarbonate, UL 94-HB, Transparent color.
- 3. RJ45 Jack Contact material & finished :
 - 3-1. Phosphor Bronze with 50-60 micro-inch Nickel plated.
 - 3-2. Contact area : Min. 3 mm 50 micro-inch Gold plated.

Performance :

- a. Insertion Force : 900 gms for 8 contacts.
- b. Retention Strength : 7.7 kgs between Jack and Plug.
- c. Operation Temperature : -40°C to 80°C.
- d. Durability Jack : 750 cycles Plug-Jack mating and unmating test, insertion cycles at 20 cycles/minute max. Contact resistance test per 100 cycles.
- e. The Cat.5e performance is in compliance with the ANSI/TIA/EIA 568 B.2 standard.

RJX2-FSCEPN35xx-0808-LF
LEADFREE
WH:WHITE
BK:BLACK

RoHS Compliant

 焯倫股份有限公司	PART NO. RJX2-FSCEPN35xx-0808		CHECKED BY CY	TOLERANCES ARE .X ± 0.2 .XX ± .XXX ± AWG	DESCRIP TION: Cat.5e Inline Coupler Keystone Jack	
	DWG NO. RJX2-FSCEPN35xx-0808					DRAWING BY
UNIT / mm	SCALE 1:1	PROJECTION	AREA	REVISIONS	HK	DATE