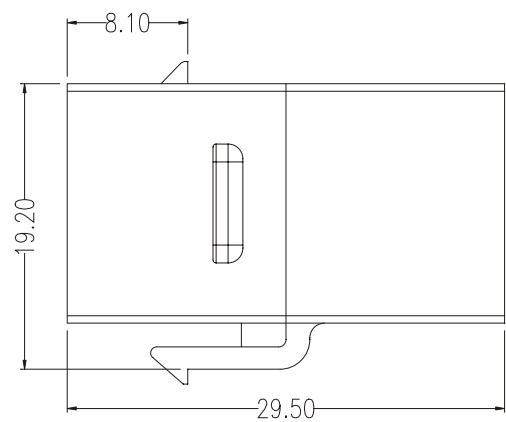
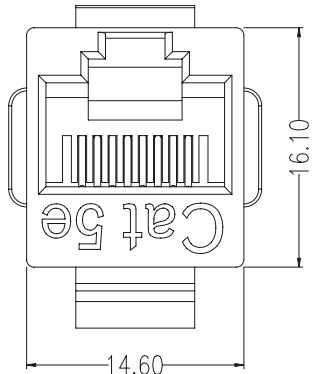
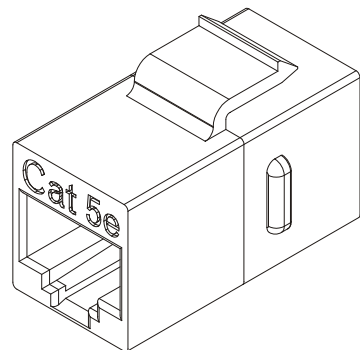
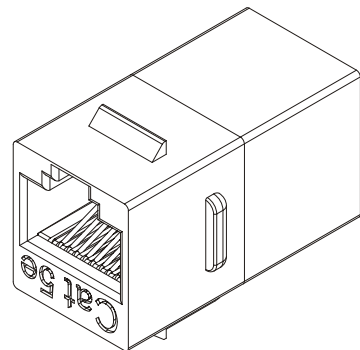
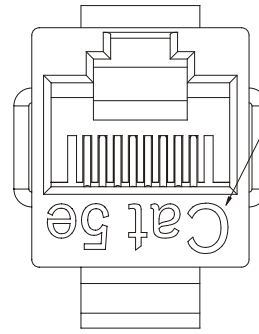


Suggested Panel Cutout



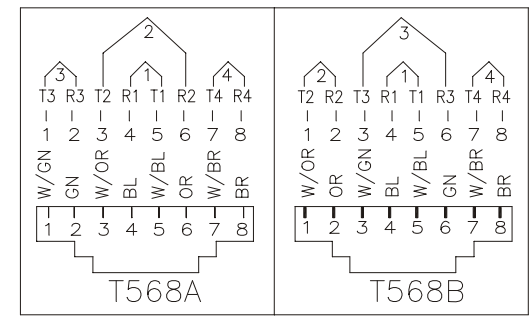
Concave deepened 0.3mm



Cat 5e
UL CERTIFIED



ACCORDING TO TIA/EIA-568-B-2
REQUIREMENTS
FILE NO.E145249



MATERIAL
Housing: ABS, UL 94V-0
Spring Wire: Phosphor Bronze with 50u"
Gold over 100u" Nickel undercoat
Temperature: -40°C ~ 68°C
Humidity: 10% ~ 90% RH
Modular jack: 750 mating cycles

ELECTRICAL
Current rating: 1.5 Amps
Insulation resistance: 500 MOhm
Contact resistance: 20 mOhm
DC resistance: 0.1 Ohm
Dielectric withstanding voltage: 1000 V

RoHS Compliant



PART NO. RJX2-FSCEPN29FM-0808

DWG NO. RJX2-FSCEPN29FM-0808

CHECKED BY CY

TOLERANCES ARE

FILE NO.

DRAWING BY

.X ± 0.2
.XX ±
.XXX ±
AWG

DESCRIPTION:

焯倫股份有限公司

UNIT / mm

SCALE 1:1

PROJECTION

AREA

REVISIONS

HK

DATE