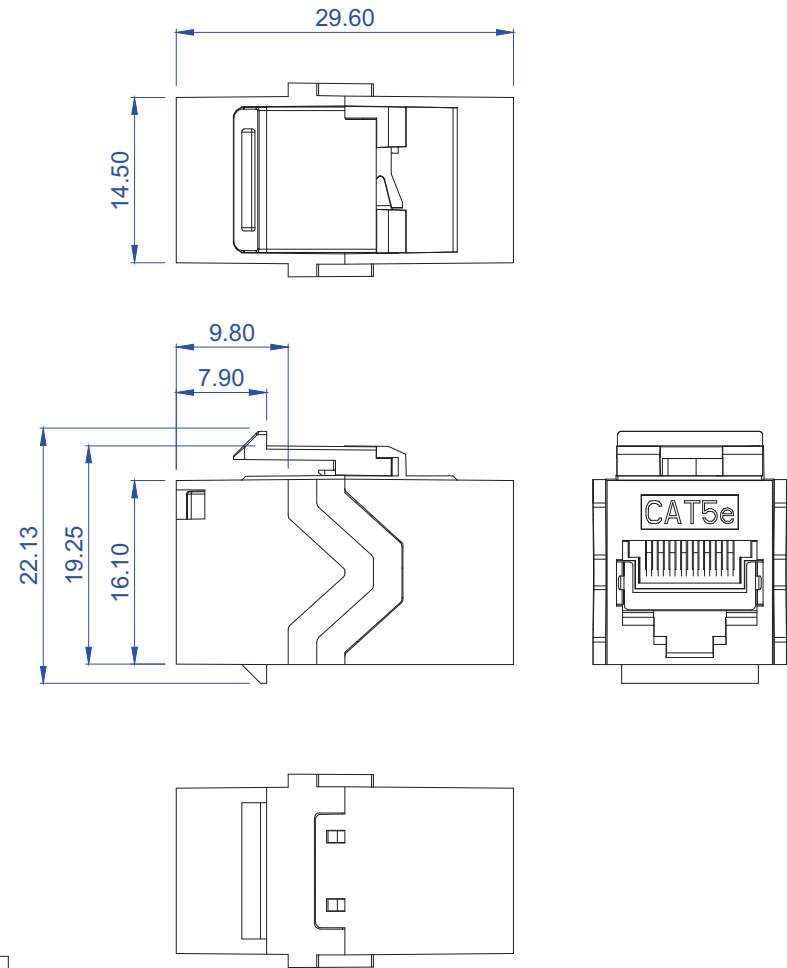
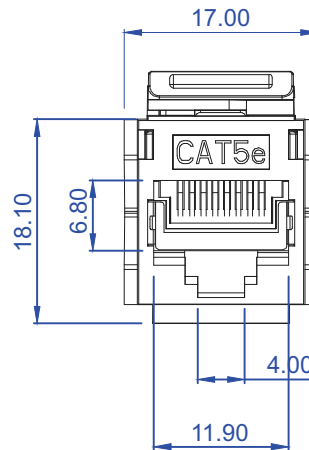
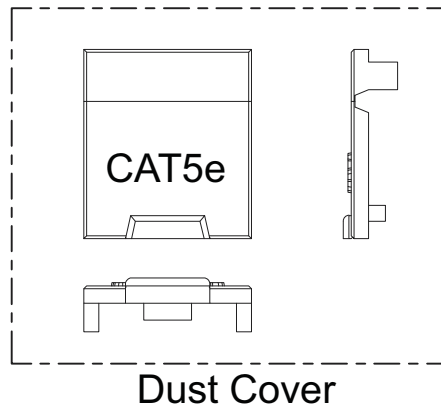


Features :

- RJ45 complies with FCC part 68 standard
- Jack insertion life >750 mating cycles
- Operating temperature : -40 °C ~ +60 °C

Electrical :

- Contact resistance : 20m ohm
- DC Current rating : 1.5Amps
- DC resistance : Max.0.1 ohm
- Insulation Resistance : 500m ohm
- Dielectric withstanding voltage : 1000V



MATERIAL	
CATEGORY	<input checked="" type="checkbox"/> CAT.5E <input type="checkbox"/> CAT.6 <input type="checkbox"/> CAT.3 <input type="checkbox"/> OTHER _____
HOUSING	Zn alloy (Electroplating Ni + Sandblasting)
CONTACT	0.35 mm DIAMETER PHOSPHOR BRONZE GOLD PLATED OVER NICKEL
GOLD-PLATING	<input type="checkbox"/> 0.0762um/3u inch <input type="checkbox"/> 0.15um/6u inch <input type="checkbox"/> 0.38um/15u inch <input type="checkbox"/> 0.76um/30u inch <input checked="" type="checkbox"/> 1.27um/50u inch
COLOR	<input type="checkbox"/> WHITE <input type="checkbox"/> BLACK <input type="checkbox"/> GREEN <input type="checkbox"/> BLUE <input type="checkbox"/> YELLOW <input type="checkbox"/> RED <input type="checkbox"/> ORANGE <input type="checkbox"/> IVORY <input type="checkbox"/> OTHER _____

RoHS Compliant

TOLERANCES ARE

MORETHANALL
PCB CONNECTORS
Cable ASSEMBLIES
煜倫股份有限公司
www.morethanall.com

DRAWING BY CY		X. ±
CHECKED BY GENIUS		.X ± 0.38
UNIT / mm	SCALE 1 : 1	.XX ± 0.25
DATE		.XXX ± 0.10
SIZE A4	PJECTION	ANG ±

照片框

ORDER INFORMATION

RJX2-FSC5EPN29FM-0808-LF
 SERIES | PANEL | CAT.5E | 8P8C FULL METAL | LEADFREE
 FEMALE TO FEMALE 180° | LONG 29.6mm

DESCRIPTION: