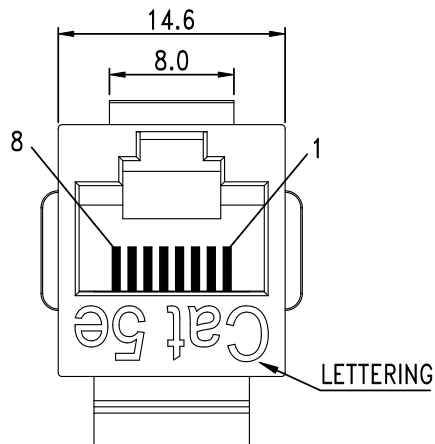
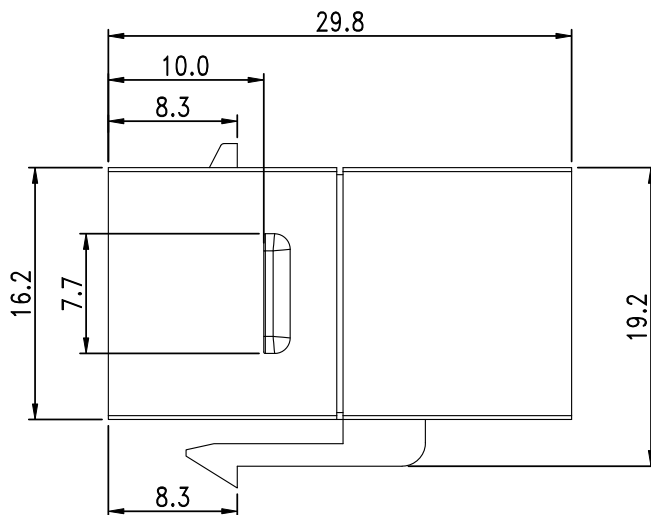
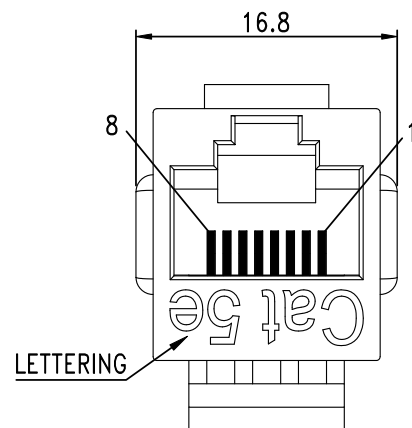


US JACK1
8P8C 50u"
FLAT PIN



US JACK2
8P8C 50u"
FLAT PIN

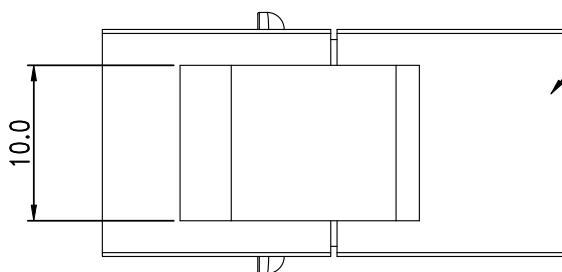


US JACK1
8P8C 50u"

- 1 _____ 1
- 2 _____ 2
- 3 _____ 3
- 4 _____ 4
- 5 _____ 5
- 6 _____ 6
- 7 _____ 7
- 8 _____ 8

US JACK2
8P8C 50u"

ABS 94V-0
COLOR: BLACK(#31)



RoHS Compliant

TOLERANCES ARE

MORETHANALL
PCB CONNECTORS
Cable ASSEMBLIES

DRAWING BY CY

X ± 1.00

CHECKED BY GENIUS

.X ± 0.50

UNIT / mm

SCALE 1 : 1

.XXX ±

DATE

ANG ±

SIZE A4

PJECTION

照片框

ORDER INFORMATION

RJX2-FSC5EPN29BK-0808-LF

SERIES | | | | | LEADFREE

FEMALE TO FEMALE 180° | | | | | 8P8C
BLACK
LONG 29.8mm
PANEL
CAT.5E

煜倫股份有限公司

www.morethanall.com

DESCRIPTION: