

Performance:

Meets C6 EIA/TIA 568B Standard.

Materials:

Body : Fireproof ABS UL-94V0
 Jack : 8P8C 50 micro inches gold plated
 PCB : FR-4 / UL-94V0
 IDC Body : Fireproof ABS UL-94V0
 IDC Pin : Bronze & Tinned

IDC Description : For 22-26 AWG.

For 110 or Krone punch-down Tool

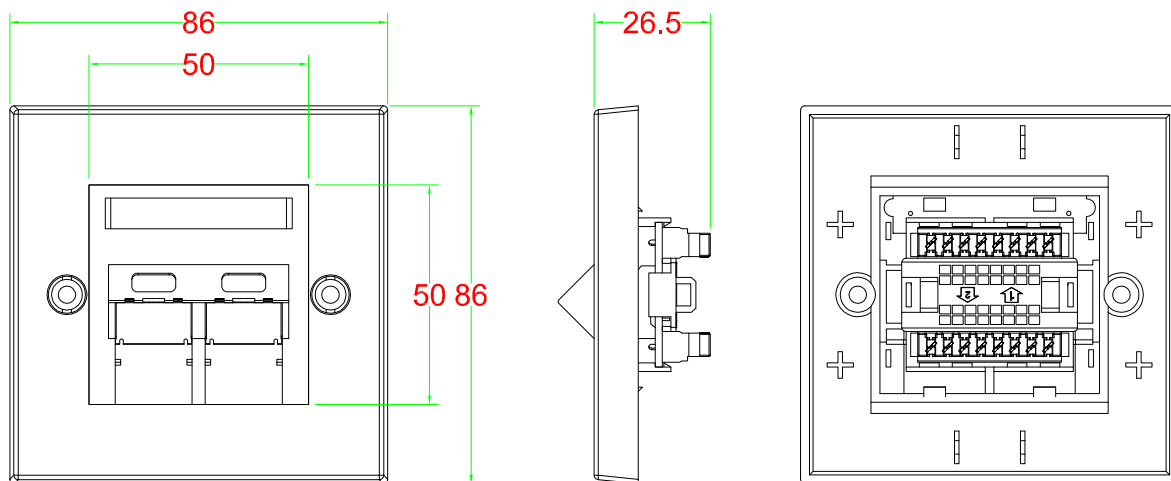
Electrical Specifications:

Insulation Resistance : 500M ohms (min.)
 Contact Resistance : 20m ohms (max.)
 Current Rating : 1.5 Amps .
 DC Resistance : 0.1 ohms (max.)
 Withstanding Voltage : 1000 VAC RMS @ 60Hz / 1 min.

Mechanical Specifications:

IDC Punch Down Cycle : Over 250 Cycles (min.)
 Jack Insertion Cycle : Over 2000 Cycles (min.)

Operation Temperature : -40 °C ~ +70 °C



RoHS Compliant

TOLERANCES ARE

MORETHANALL
 PCB CONNECTORS
 Cable ASSEMBLIES
 煜倫股份有限公司

DRAWING BY CY

X. ± 1.00

CHECKED BY GENIUS

.X ± 0.20

UNIT / mm

SCALE 1 : 1

.XX ± 0.15

DATE

.XXX ±

ANG ±

www.morethanall.com

SIZE A4

PJECTION

照片框

ORDER INFORMATION

RJX2-FI2C6PE86WH-0808-LF
 SERIES | | | | | LEADFREE
 | | | | | 8P8C
 | | | | | WHITE
 | | | | | LONG 86.0mm
 FEMALE IDC | | | | | PANEL
 JACK X 2 | | | | | CAT.6

DESCRIPTION: C6 MODULE FACEPLATE UTP 50u