

Performance:

Meets C6 EIA/TIA 568B Standard.

Materials:

- Body : Fireproof ABS UL-94V0
- Jack : 8P8C 50 micro inches gold plated
- PCB : FR-4 / UL-94V0
- IDC Body : Fireproof ABS UL-94V0
- IDC Pin : Bronze & Tinned

IDC Description : For 22-26 AWG.
For 110 or Krone punch-down Tool

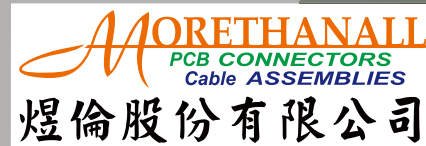
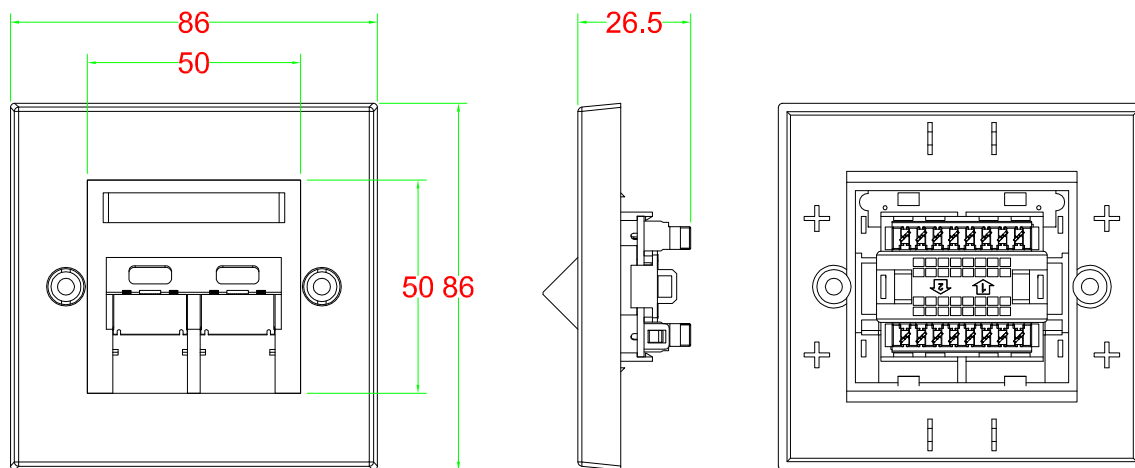
Electrical Specifications:

- Insulation Resistance : 500M ohms (min.)
- Contact Resistance : 20m ohms (max.)
- Current Rating : 1.5 Amps .
- DC Resistance : 0.1 ohms (max.)
- Withstanding Voltage : 1000 VAC RMS @ 60Hz / 1 min.

Mechanical Specifications:

- IDC Punch Down Cycle : Over 250 Cycles (min.)
- Jack Insertion Cycle : Over 2000 Cycles (min.)

Operation Temperature : -40 °C ~ +70 °C



www.morethanall.com

RoHS Compliant

DRAWING BY CY
CHECKED BY GENIUS
UNIT / mm SCALE 1 : 1
DATE

TOLERANCES ARE

X. ± 1.00
.X ± 0.20
.XX ± 0.15
.XXX ±
ANG ±

照片框

SIZE A4 PPROJECTION

ORDER INFORMATION

RJX2-FI2C6PE86FM-0808-LF
SERIES JACK X 2 CAT.6 PANEL JACK/ METAL LONG 86.0mm LEADFREE 8P8C

DESCRIPTION: C6 MODULE FACEPLATE STP 50u