

**Performance:**

Meets C6 EIA/TIA 568B Standard.

**Materials:**

- Body : Fireproof ABS UL-94V0
- Jack : 8P8C 50 micro inches gold plated
- PCB : FR-4 / UL-94V0
- IDC Body : Fireproof ABS UL-94V0
- IDC Pin : Bronze & Tinned

**IDC Description :** For 22-26 AWG.

For 110 or Krone punch-down Tool

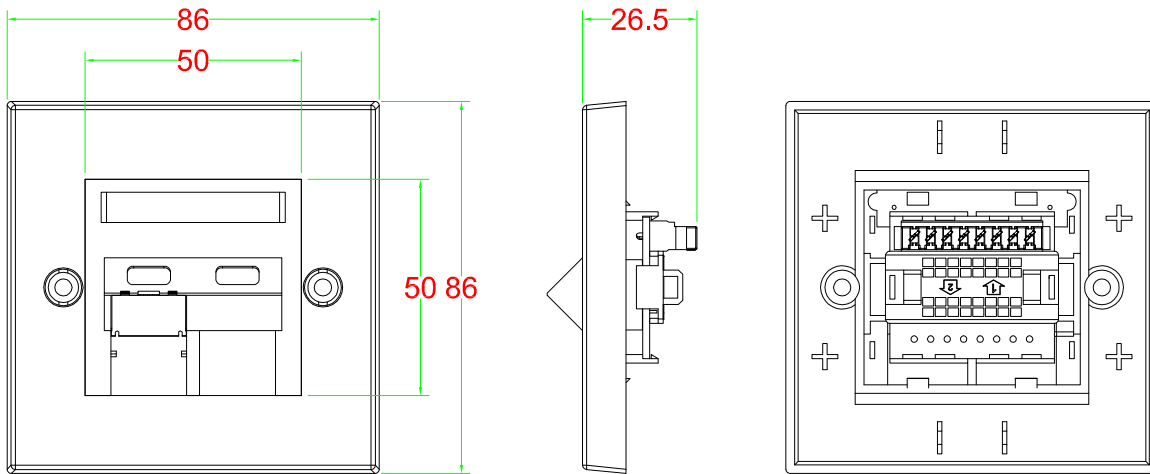
**Electrical Specifications:**

- Insulation Resistance : 500M ohms (min.)
- Contact Resistance : 20m ohms (max.)
- Current Rating : 1.5 Amps .
- DC Resistance : 0.1 ohms (max.)
- Withstanding Voltage : 1000 VAC RMS @ 60Hz / 1 min.

**Mechanical Specifications:**

- IDC Punch Down Cycle : Over 250 Cycles (min.)
- Jack Insertion Cycle : Over 2000 Cycles (min.)

**Operation Temperature :** -40 °C ~ +70 °C



**RoHS Compliant**

TOLERANCES ARE



煜倫股份有限公司

www.morethanall.com

DRAWING BY CY

CHECKED BY GENIUS

UNIT / mm

SCALE 1 : 1

DATE

SIZE A4

X. ± 1.00

.X ± 0.20

.XX ± 0.15

.XXX ±

ANG ±

PJECTION



**ORDER INFORMATION**

RJX2-F11C6PE86WH-0808-LF  
 SERIES | | | | | LEADFREE  
 | | | | | 8P8C  
 | | | | | WHITE  
 | | | | | LONG 86.0mm  
 FEMALE IDC | | | | | PANEL  
 JACK X 1 | | | | | CAT.6

DESCRIPTION: C6 MODULE FACEPLATE UTP 50u