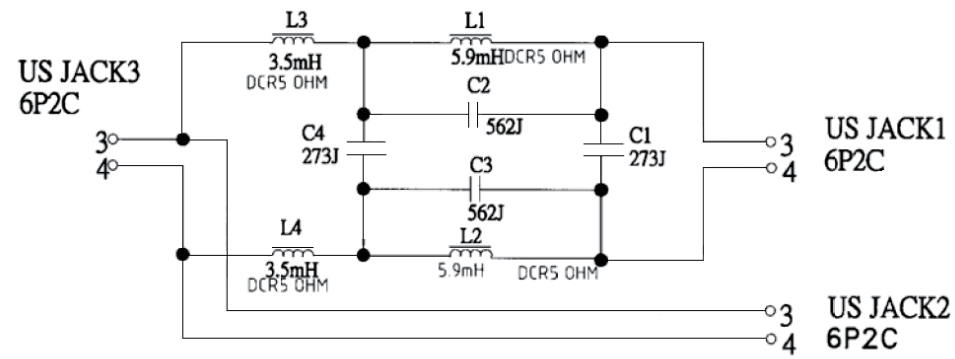


NOTE :
1 PC/POLYBAG
DOUBLE SIDE TYPE : 56 x 30 MM

ITEM NO	NAME	SPECIFICATION	Q'TY
1	L1.L2	5.9mH±10% DCR5 OHM	2
2	L3.L4	3.5mH±10% DCR5 OHM	2
3	C1.C4	273J±5% 400V 金屬膜	2
4	C2.C3	562J±5% 250V 金屬膜	2



RoHS Compliant

TOLERANCES ARE
X, ±
.X ±
.XX ±
.XXX ±
ANG ±

照片框

ORDER INFORMATION

RJX12-FS-0606-LF
SERIES LEADFREE
6P6C
FEMALE TO FEMALE 180°

MORETHANALL
PCB CONNECTORS
Cable ASSEMBLIES
煜倫股份有限公司
www.morethanall.com

DRAWING BY CY		X, ± .X ± .XX ± .XXX ± ANG ±
CHECKED BY GENIUS		
UNIT / mm	SCALE 1 : 1	
DATE		
SIZE A4	PJECTION	

DESCRIPTION: