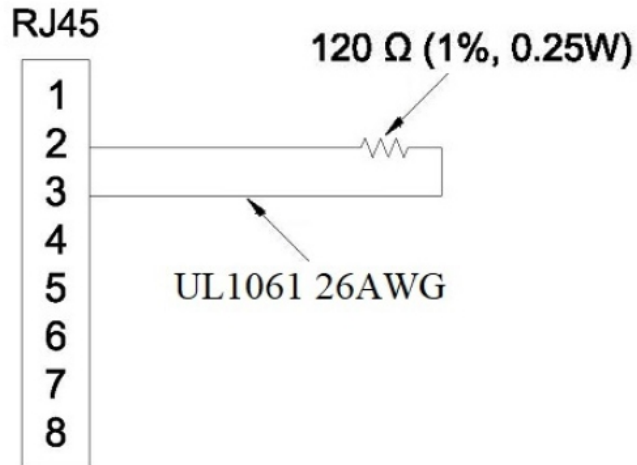
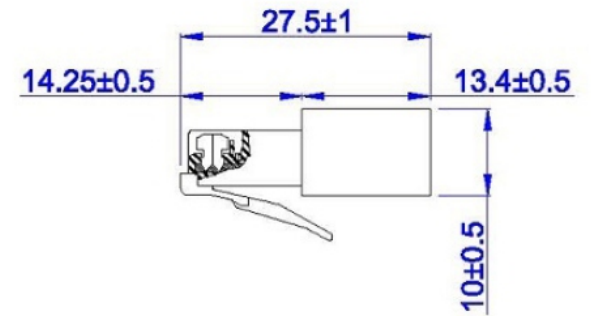
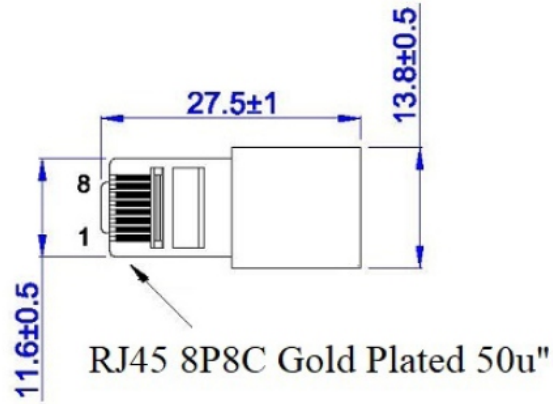
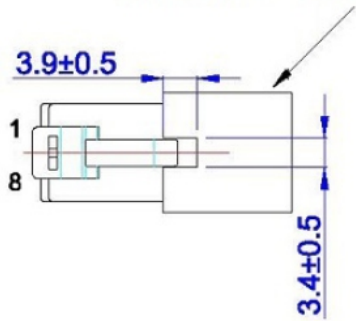


Boot PVC Molding (BLACK)



RoHS Compliant

TOLERANCES ARE

MORETHANALL
PCB CONNECTORS
Cable ASSEMBLIES

DRAWING BY CY
CHECKED BY GENIUS
UNIT / mm SCALE 1:1
DATE

X.±
.X±
.XX±
.XXX±
ANG±

照片框

ORDER INFORMATION

RJX1-MR1H2X1BK2-0808-LF
SERIES | RESISTOR 120 OHM | 8P8C | LEADFREE
MALE | BLACK

煜倫股份有限公司

www.morethanall.com

SIZE A4 PROJECTION

DESCRIPTION: RJ45 單頭公 50u"+ resistor 120ohm Boot Black