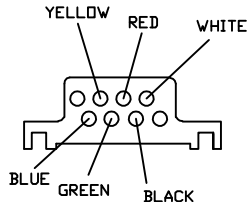
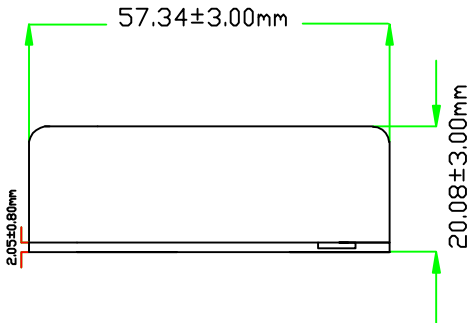


| RJ45 SOCKET | US JACK |
|-------------|---------|
| WHITE | WHITE |
| BLACK | BLACK |
| RED | RED |
| GREEN | GREEN |
| YELLOW | YELLOW |
| BLUE | BLUE |

NOTE :
 Housing Material : ABS
 Housing Color : Ivory
 Contact Material : Brass Nickel Plated
 RJ45 Socket : 8P6C Jack Ivory
 Wire : 1061 #26AWG
 Wire Color : Blue,Black,Red,Green, Yellow,White.



RJ-SJ03-0806-LF
 LEADFREE
 RoHS Compliant

| | | | | |
|-----------------|-----------------------|-----------|--|--|
| | PART NO. RJ-SJ03-0806 | | TOLERANCES ARE .X ± 0.2 .XX ± .XXX ± ANG | DESCRIPTION: 電話接線盒 象牙色 - RoHS |
| | DWG NO. RJ-SJ03-0806 | | | |
| 焯倫股份有限公司 | FILE NO. | | DRAWING BY | AREA |
| | UNIT / mm | SCALE 1:1 | PROJECTION | |
| | | | | HK |
| | | | | DATE |